

# Protective Bellows Questionnaire



For preparing the best possible quotation we ask to provide the information requested below:

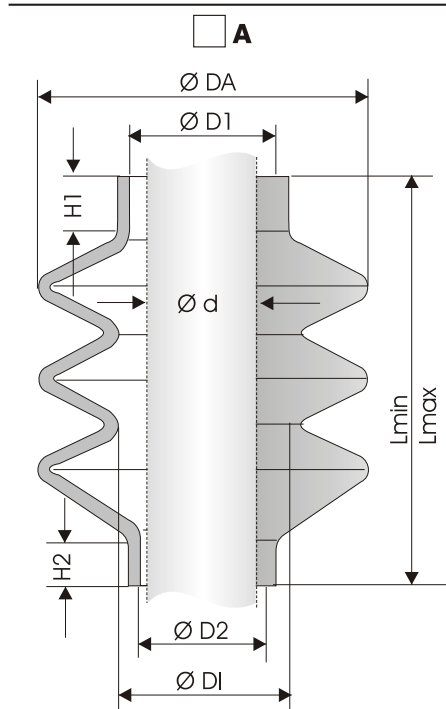
One-time requirement ..... units      Annual requirement ..... units      Lot size ..... units

Where do you wish to use the bellows? .....

Use:     horizontal     vertical     inclined     indoor     outdoor

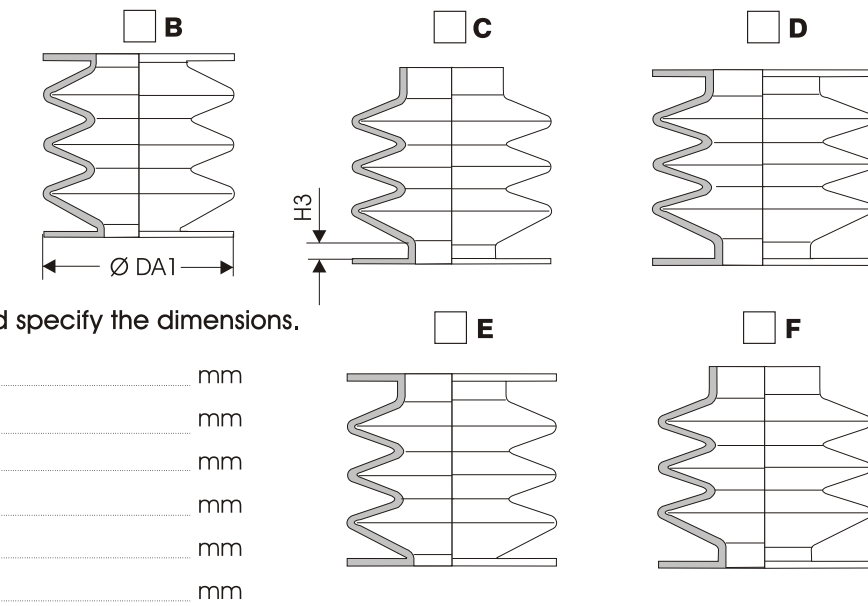
Temperature range from -.....°C to +.....°C

Work cycles/min .....       Work hours per day .....



**What media will the bellows be exposed to?**

	Inside	Outside	Perma- nently	Some- times
<input type="checkbox"/> Dust .....	<input type="checkbox"/>	<input type="checkbox"/>	<input type="checkbox"/>	<input type="checkbox"/>
<input type="checkbox"/> Water .....	<input type="checkbox"/>	<input type="checkbox"/>	<input type="checkbox"/>	<input type="checkbox"/>
<input type="checkbox"/> Oil/Grease, namely .....	<input type="checkbox"/>	<input type="checkbox"/>	<input type="checkbox"/>	<input type="checkbox"/>
<input type="checkbox"/> Acid, namely .....	<input type="checkbox"/>	<input type="checkbox"/>	<input type="checkbox"/>	<input type="checkbox"/>
<input type="checkbox"/> Leaches, namely .....	<input type="checkbox"/>	<input type="checkbox"/>	<input type="checkbox"/>	<input type="checkbox"/>
<input type="checkbox"/> Spatters .....	<input type="checkbox"/>	<input type="checkbox"/>	<input type="checkbox"/>	<input type="checkbox"/>
<input type="checkbox"/> Chips, temperature max. ....°C	<input type="checkbox"/>	<input type="checkbox"/>	<input type="checkbox"/>	<input type="checkbox"/>
<input type="checkbox"/> Pressure ..... bar .....	<input type="checkbox"/>	<input type="checkbox"/>	<input type="checkbox"/>	<input type="checkbox"/>



**!** Please tick the desired type and specify the dimensions.

d .....	mm	D1 .....	mm
Lmin .....	mm	DA .....	mm
Lmax .....	mm	DA1 .....	mm
D1 .....	mm	H1 .....	mm
D2 .....	mm	H2 .....	mm
		H3 .....	mm

## Contact:

Company: .....  
 Your name: .....  
 Address: .....  
 Postal code/City: .....  
 Country: .....

Phone: .....  
 Fax: .....  
 eMail: .....  
 www: .....