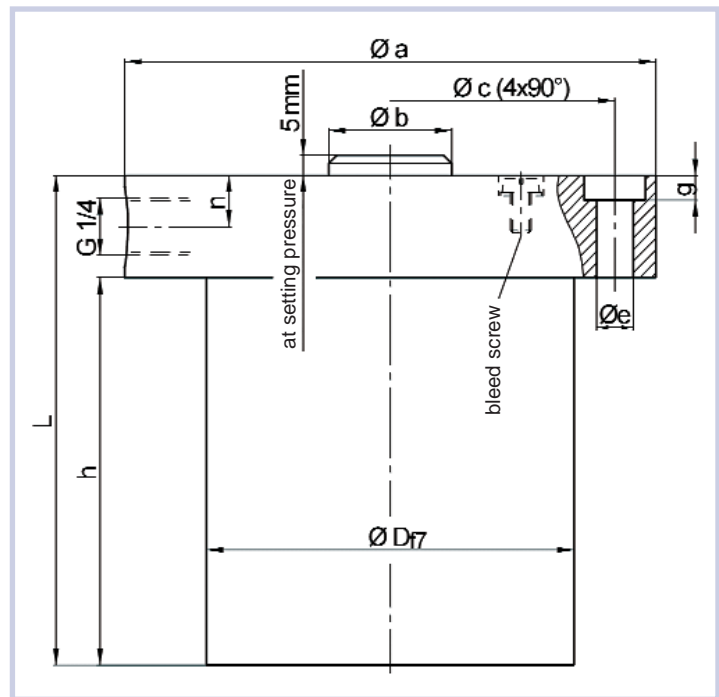
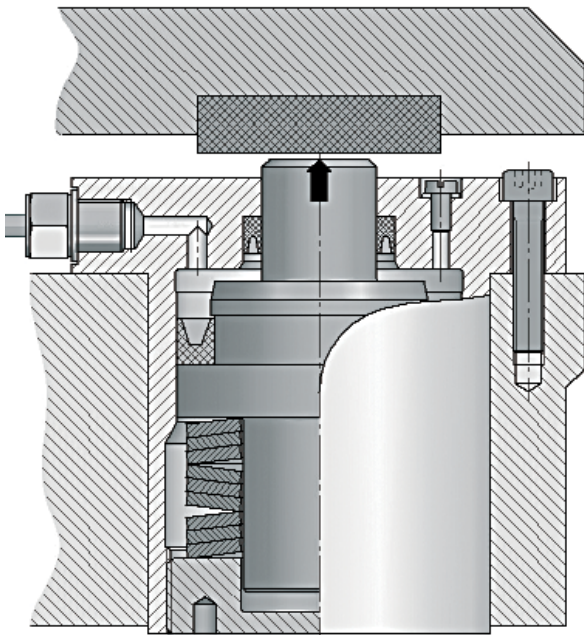


# Spring clamping cylinder (pushing) — Series ZDF-o / ZDF-u

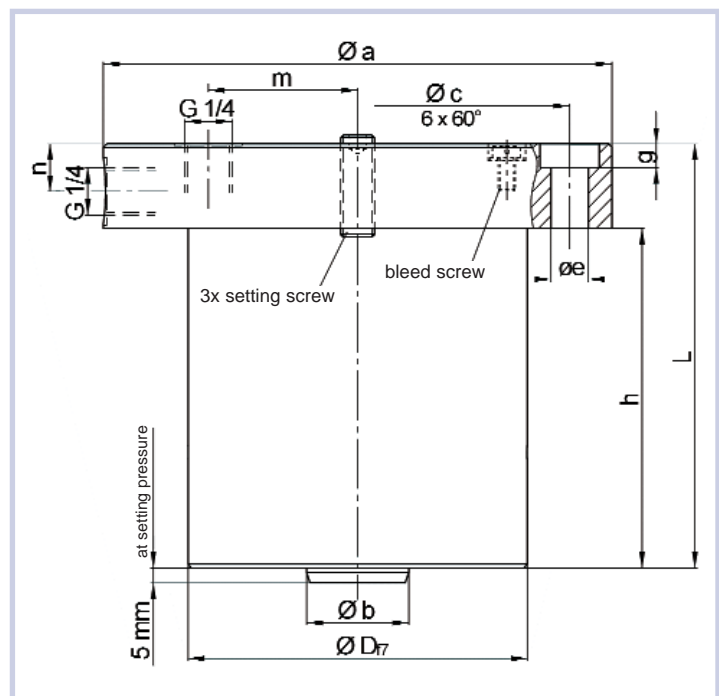
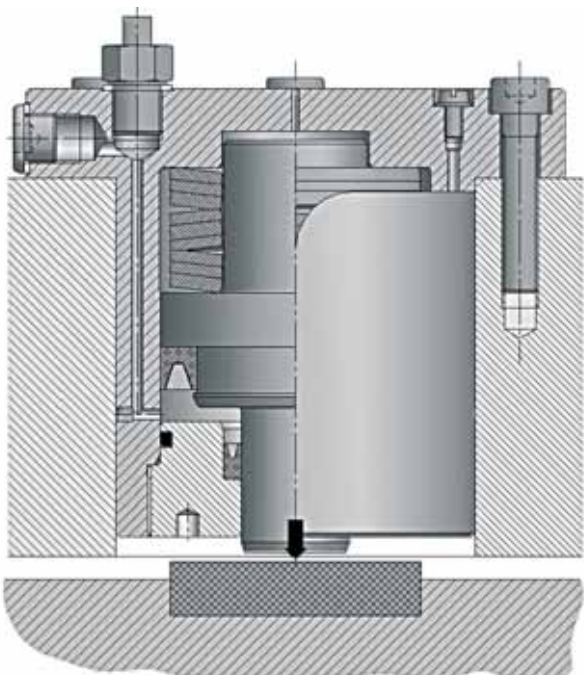
Spring clamping cylinders are generally offered in two versions: with different positions of the piston. For each version several sizes from 25 kN to 160 kN are available. As not all sizes are on stock, please contact us for special applications. According to the required operation parameters, we shall give you an appropriate offer with a dimensioned sketch.



## Spring clamping cylinder type ZDF-o



## Spring clamping cylinder type ZDF-u



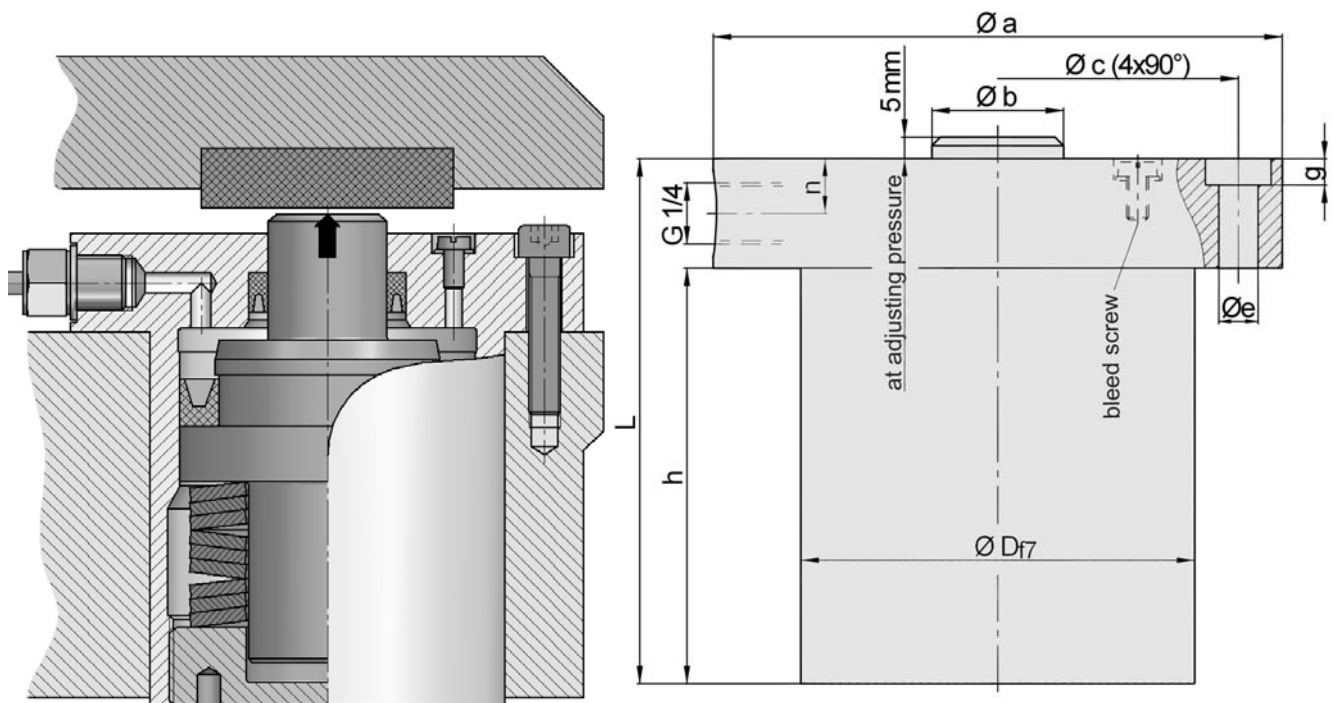
Ordering example:      ZDF- o 10.000      /      ZDF- u 6.300

# Spring clamping cylinder (pushing) \_\_\_\_\_ Series ZDF - o

- mechanical clamping - hydraulic releasing
- high operating safety, leakproof and robust
- temperature range: -30°C till +100°C, installation position user - defined

## Technical data:

ZDF-o Size	nominal clamping force [kN]	adjusting pressure [bar]	release pressure at 0,5 mm stroke [bar]	release pressure at 1 mm stroke [bar]	stroke volume at 1 mm stroke [cm <sup>3</sup> ]	weight approx. [kg]
2.500	25	130	160	195	2,0	3,0
4.000	40	200	240	280	3	4,4
6.300	63	180	200	225	4	6,0
10.000	100	240	270	300	5,0	12
16.000	160	205	235	265	8	23
25.000	250	200	220	245	14	35



## Dimensions: (mm) length dimensions according to DIN ISO 2768 mH

ZDF-o	Ø D	Ø a	Ø b	Ø c	Ø e	g	h	L	n
2.500	70	95	20	82	6,5	5	75	100	12,5
4.000	80	120	30	100	9	6	85	110	12,5
6.300	90	130	30	110	9	6	95	120	12,5
10.000	115	160	30	140	11	7	120	145	12,5
16.000	150	198	40	175	13	8	130	160	15
25.000	180	230	50	205	13	8	140	170	15

Ordering example:

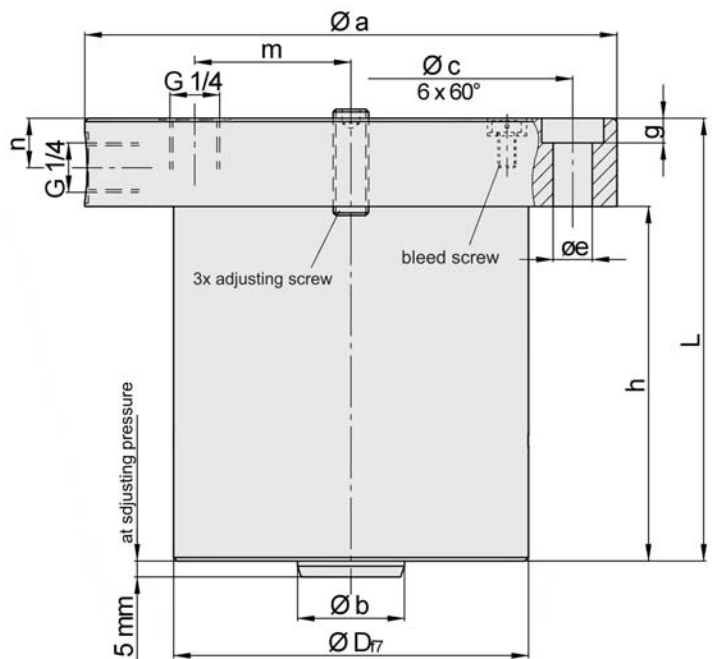
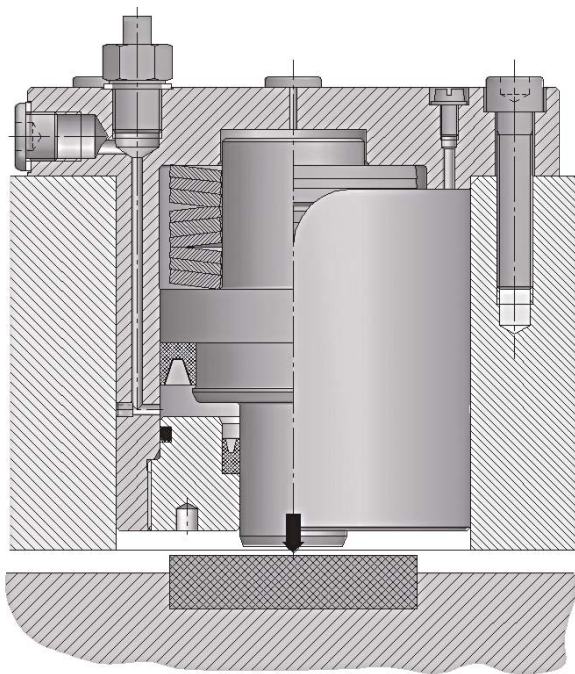
**ZDF - o 4000**

# Spring clamping cylinder (pushing) \_\_\_\_\_ Series ZDF - u

- mechanical clamping - hydraulic releasing
- high operating safety, leakproof and robust
- temperature range:  $-30^{\circ}\text{C}$  till  $+100^{\circ}\text{C}$ , installation position user - defined

## Technical data:

ZDF-u Size	nominal clamping force [kN]	adjusting pressure [bar]	max. release stroke [mm]	release pressure at 0,5 mm stroke [bar]	release pressure at 1 mm stroke [bar]	release pressure at max. stroke [bar]	stroke volume at 1 mm stroke [cm <sup>3</sup> ]	weight approx. [kg]
2.500	25	160	1,2	205	250	270	2,0	3,8
4.000	40	200	1,5	240	280	320	2,3	5,7
6.300	63	180	1,2	205	230	-	4	7,8
10.000	100	210	1,0	240	270	-	6	14
16.000	160	205	1,5	250	290	330	9	25
25.000	250	200	1,5	230	260	300	13	34



## Dimensions: (mm) length dimensions according to DIN ISO 2768 cH

ZDF-u	Ø D	Ø a	Ø b	Ø c	Ø e	g	h	L	m	n
2.500	75	105	20	90	6,5	4,5	85	110	30	14
4.000	90	138	30	115	11	7	90	115	37	14
6.300	100	150	30	125	11	7	100	125	44	14
10.000	120	170	30	145	12,5	12	125	150	51	14
16.000	150	210	40	185	12,5	12	140	170	65	15
25.000	180	230	50	205	12,5	12	150	180	80	15

Ordering example:

ZDF - u 6300