



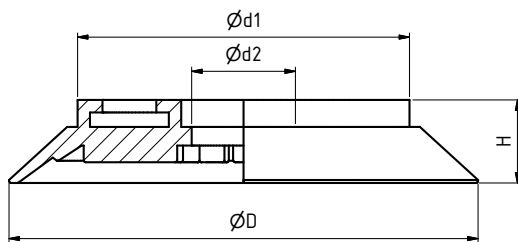
Flachsauger ø 75 - 150 mm
Flat Vacuum Cups ø 75 - 150 mm

Technische Daten / Technical Specifications

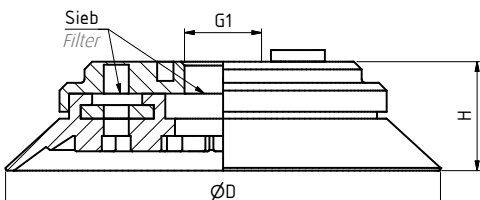
| Artikel-Nummer Item number | Verfügbare Materialien Available Materials | Härte [° Shore A] Hardness [° Shore A] | Einsatzbereich [° C] Application area [° C] | Gewicht [g] Weight [g] | Hub [mm] Lift [mm] |
|---|---|---|--|---------------------------|--------------------------|
| Gummitteil zur Verwendung zusammen mit Steckhalter oder als Ersatz / Rubber part, to be used with click-in fitting or as replacement | | | | | |
| 154.075.027.18 | TPU transparent / TPU transparent | 60 ± 5 | 0 - 80 | 18 | 3 |
| 154.110.028.18 | TPU transparent / TPU transparent | 60 ± 5 | 0 - 80 | 58 | 5 |
| 154.150.026.18 | TPU transparent / TPU transparent | 60 ± 5 | 0 - 80 | 160 | 6 |
| Einheit: Gummitteil + Halter+ Filtersieb (fix montiert) / Assembly: Rubber part + fitting + filter sieve (firm assembled) | | | | | |
| 152.075.029.18 | TPU transparent / TPU transparent | 60 ± 5 | 0 - 80 | 92 | 3 |
| 152.110.033.18 | TPU transparent / TPU transparent | 60 ± 5 | 0 - 80 | 217 | 5 |
| 152.150.037.18 | TPU transparent / TPU transparent | 60 ± 5 | 0 - 80 | 460 | 6 |

- > Sehr hohe Standzeit durch extrem verschleißarmes Material
- > Nahezu abdruckfrei
- > Gute Öl-, Hydrolyse- und Ozonbeständigkeit
- > Handling von Blech, Glas, Stein und sog. weißer Ware
- > Very long life due to extremely high wear-resistant material
- > Nearly non-marking
- > Highly resistant to oil, hydrolysis and ozone
- > Handling of sheet, glass, stone and white goods

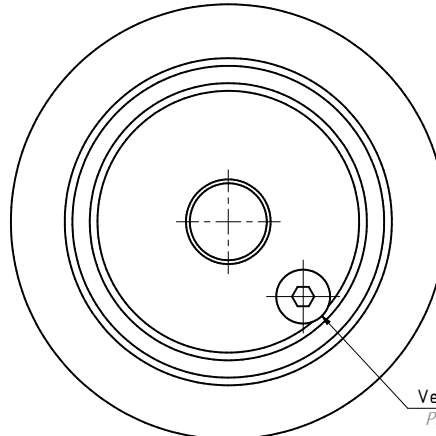
Abmessungen / Dimensions



154.075.027.18 | 154.110.028.18 | 154.150.026.18



152.075.029.18 | 152.110.033.18 | 152.150.037.18



| Artikel-Nummer Item number | ø D [mm] | ø d1 [mm] | ø d2 [mm] | H [mm] |
|---|----------|-----------|-----------|--------|
| Gummitteil zur Verwendung zusammen mit Steckhalter oder als Ersatz / Rubber part, to be used with click-in fitting or as replacement | | | | |
| 154.075.027.18 | 78 | 55 | 10 | 13 |
| 154.110.028.18 | 113 | 79 | 25 | 20 |
| 154.150.026.18 | 155 | 109 | 25 | 24 |
| Artikel-Nummer Item number | ø D [mm] | G1 | G2 | H [mm] |
| Einheit: Gummitteil + Halter+ Filtersieb (fix montiert) / Assembly: Rubber part + fitting + filter sieve (firm assembled) | | | | |
| 152.075.029.18 | 78 | G1/8 IG | M5 IG | 22 |
| 152.110.033.18 | 113 | G1/2 IG | G1/8 IG | 28 |
| 152.150.037.18 | 155 | G1/2 IG | G1/8 IG | 34 |



Balgensauger ø 75 -150 mm
Bellows Vacuum Cups ø 75 -150 mm

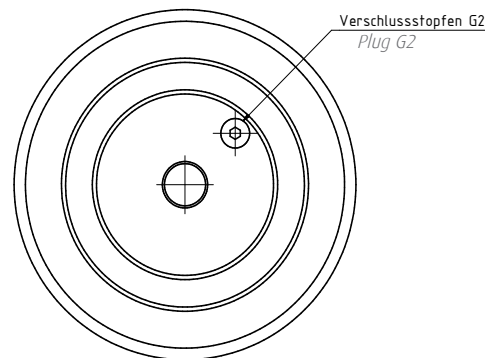
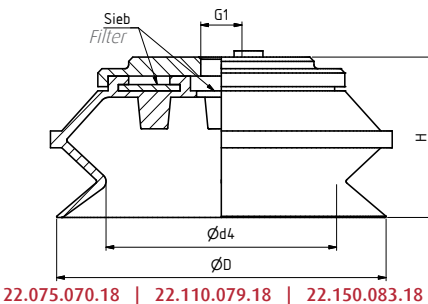
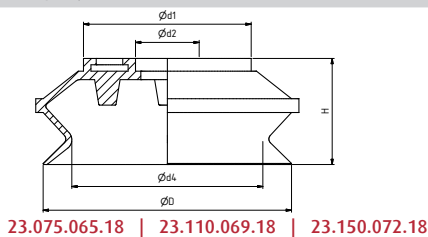
Technische Daten / Technical Specifications

| Artikel-Nummer Item number | Verfügbare Materialien Available Materials | Härte [° Shore A] Hardness [° Shore A] | Einsatzbereich [° C] Application area [° C] | Gewicht [g] Weight [g] | Hub [mm] Lift [mm] | Passende Filterscheibe Suitable filter disc |
|---|---|---|--|---------------------------|-----------------------|--|
| Gummitteil zur Verwendung als Ersatz / Rubber part to be used as replacement | | | | | | |
| 23.075.065.18 | TPU transparent / TPU transparent | 60 ± 5 | 0 - 80 | 36 | 22 | 78.204 |
| 23.110.069.18 | TPU transparent / TPU transparent | 60 ± 5 | 0 - 80 | 90 | 29 | 78.205 |
| 23.150.072.18 | TPU transparent / TPU transparent | 60 ± 5 | 0 - 80 | 220 | 41 | 78.206 |
| Einheit: Gummitteil + Halter + Filtersieb (fix montiert). Zusätzlicher Anschluss G2 zum Anschluss von Vakuumbefragung / Assembly: Rubber part + fitting + filter sieve (firm assembled). Additional port (G2) to be used for vacuum monitoring | | | | | | |
| 22.075.070.18 | TPU transparent / TPU transparent | 60 ± 5 | 0 - 80 | 110 | 22 | 78.204 |
| 22.110.079.18 | TPU transparent / TPU transparent | 60 ± 5 | 0 - 80 | 254 | 29 | 78.205 |
| 22.150.083.18 | TPU transparent / TPU transparent | 60 ± 5 | 0 - 80 | 570 | 41 | 78.206 |

- > Sehr hohe Standzeit durch extrem verschleißarmes Material
- > Nahezu abdruckfrei
- > Gute Öl-, Hydrolyse- und Ozonbeständigkeit
- > Handling von Blech, Glas, Stein und sog. weißer Ware

- > Very long life due to extremely high wear-resistant material
- > Nearly non-marking
- > Highly resistant to oil, hydrolysis and ozone
- > Handling of sheet, glass, stone and white goods

Abmessungen / Dimensions



| Artikel-Nummer Item number | ø D [mm] | ø d1 [mm] | ø d2 [mm] | ø d4 [mm] | H [mm] |
|---|----------|-----------|-----------|-----------|--------|
| Gummitteil zur Verwendung als Ersatz / Rubber part to be used as replacement | | | | | |
| 23.075.065.18 | 80 | 55 | 10 | 57 | 38 |
| 23.110.069.18 | 115 | 79 | 25 | 90 | 50 |
| 23.150.072.18 | 160 | 109 | 25 | 112 | 67 |
| Artikel-Nummer Item number | ø D [mm] | G1 | ø d4 [mm] | G2 | H [mm] |
| Einheit: Gummitteil + Halter + Filtersieb (fix montiert). Zusätzlicher Anschluss G2 zum Anschluss von Vakuumbefragung / Assembly: Rubber part + fitting + filter sieve (firm assembled). Additional port (G2) to be used for vacuum monitoring | | | | | |
| 22.075.070.18 | 80 | G1/8 IG | 57 | M5 IG | 47 |
| 22.110.079.18 | 115 | G1/2 IG | 90 | G1/8 IG | 59 |
| 22.150.083.18 | 160 | G1/2 IG | 112 | G1/8 IG | 75 |