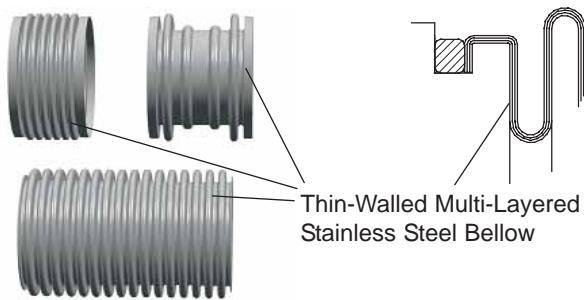


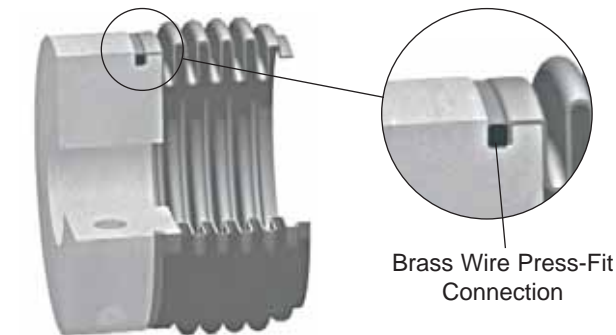
① The Stainless Steel Bellow



Advantages:

- The metal bellow guarantees a zero backlash torque transmission with extremely high torsional stiffness while maintaining flexibility (compensation for misalignment)
- Low mass moment of inertia
- Maintenance and wear-free up to 300°C
- High quality precision manufactured bellow with 100% inspection
- Modular designs allow flexibility for different style hub / bellow combinations
- We have the experience and knowledge for special application solutions

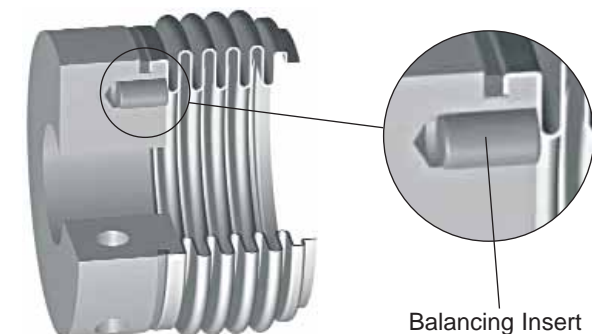
② The Patented Connection Method



Advantages:

- Strong zero backlash connection between the aluminium hubs and multi-layered bellows, alternative steel or stainless steel hubs will be connected with bellows by plasma welding process
- Can withstand harsh environments where glued surfaces cannot - (for example, -50°C to 300°C temperature range and where chemicals are present)
- With a nickel wire press-fit and stainless steel hubs, the couplings can be used in a vacuum or food-grade environment

③ Balancing of the Hub

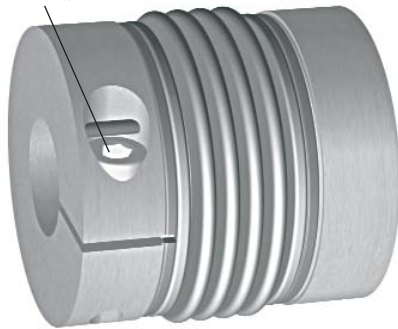


Advantages:

- Balanced for high speeds (up to 20.000 rpm depending on the size of the coupling)
- Smooth running to prevent oscillations
- Can be specially balanced for higher speeds (with additional cost)

④ The Radial Clamping Hub

Nickel Plated Socket
Head Cap Screw Q10.9



Advantages:

- Easy single bolt mounting for shaft-hub connection
- Zero backlash torque transmission is guaranteed
- Low moment of inertia and light weight
- Quick Delivery
- Keyways available upon request (for an additional cost)

⑤ The EASY - Clamp System

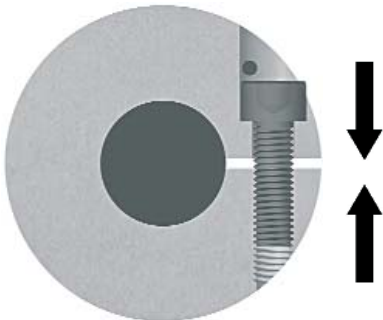


Patented
EASY - Clamp - System

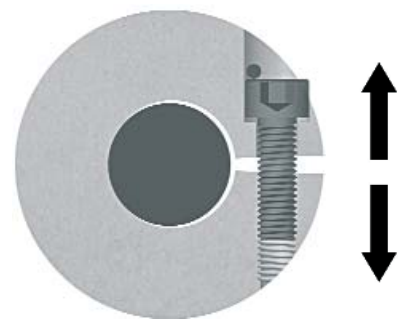


Advantages:

- The newest and best engineered technology for mounting couplings
- Eliminates possibility of damaging coupling during installation or deinstallation
- Quicker installation
- Tolerance differences between shaft and coupling will be compensated
- No additional tools needed for installation
- Easier to uninstall

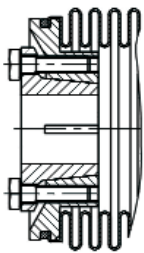


The zero backlash clamping hub is connected to the shaft while providing a high clamping force.

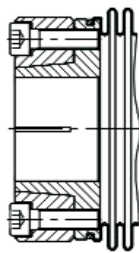


By loosening the socket head cap screw against the pin, the clamping hub is easily expanded for assembly or dis-assembly.

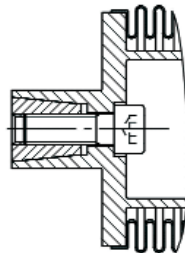
⑥ The conical connection



conical
clamping hub



conical
ring hub



expanding
cone hub

Advantages:

- Through force amplifying (wedge principal) a safe transmission of the torque although for smaller bore sizes (hub additionally sliced) is guaranteed.
- Backlash- and maintenance- free, actuated by adherence without keyway
- Rotary symmetric, good balancing
- Expanding cone hub for axial mounting in a hollow shaft