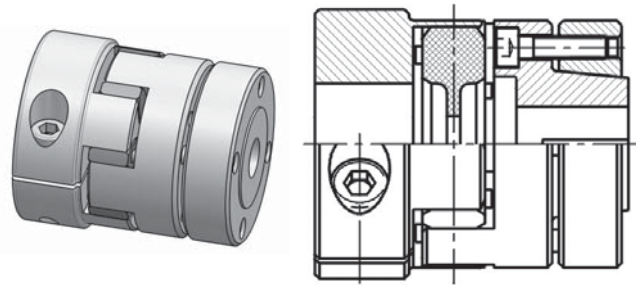


Elastomer couplings I Special series

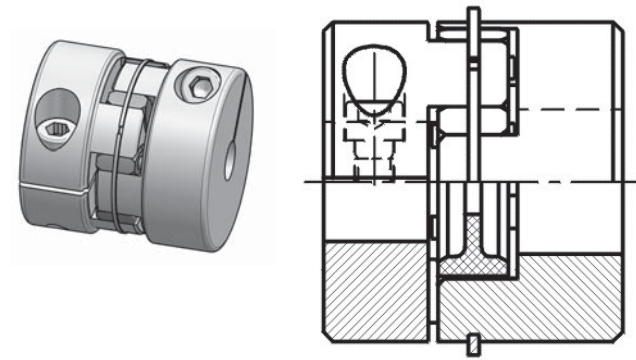
combination EKM – ESM

- ✓ for connection of shafts with very different diameters
- ✓ to facilitate the assembly of shaft-hub-connections:
 - 1.) ESM - hub from inside
 - 2.) plug-in assembly - elastomer spider
 - 3.) EKM - hub radially from outside
- ✓ to achieve an fitting intermediate length



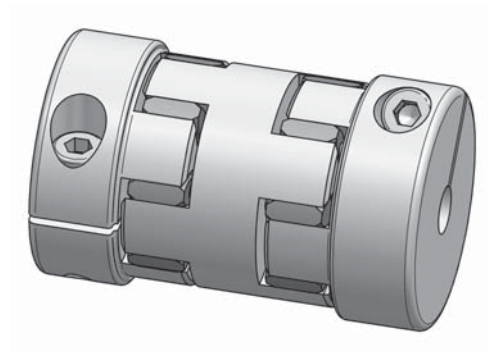
axial stop design

- ✓ by additional snap ring at the periphery
- ✓ for taking up resp. supporting large axial forces
- ✓ nevertheless compensation of parallel and angular misalignment
- ✓ might also be used for easier mounting



double-cardan design

- ✓ with double-claws - intermediate piece and two elastomer spiders (variable in length)
- ✓ extremely flexible, so compensation of large misalignments is given (parallel misalignments)
- ✓ very good dampening of oscillation, however, the torsional stiffness is reduced by 50 %.



Series EKS with expanding cone

- ✓ short design for hollow - shaft - assembly
- ✓ 7 sizes from 8 - 700 Nm
- ✓ variable conical shaft diameter
- ✓ data sheet on request see homepage:
www.jakobantriebstechnik.de

