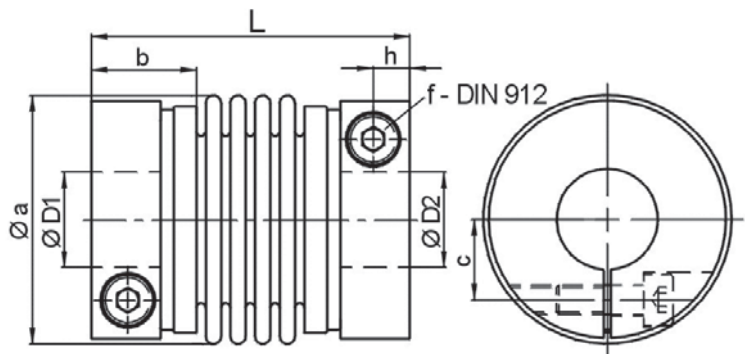
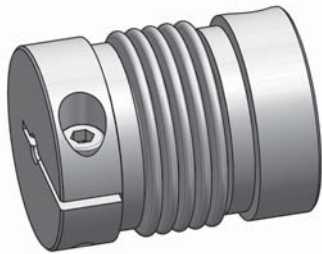


Miniature - metal bellows coupling I Series MKP

- // short design // with radial clamping hub
- // temperature range: -100°C up to +300°C

Technical data:

MKP size	T_N [Nm]	max. speed [min ⁻¹]	moment of inertia [10 ⁻⁶ kgm ²]	torsional stiffness [10 ⁻³ Nm/arcmin]	max. shaft displacement (mm)		spring rate [N/mm]		mass approx. [g]	tightening torque of screws [Nm]
					axial ±	lateral	axial	lateral		
2	2	12.000	2,5	400	0,3	0,1	32	100	30	2
5	5	12.000	2,8	800	0,3	0,1	70	400	40	2
7	7	12.000	12	1700	0,4	0,15	70	220	80	4
8	8	12.000	25	2100	0,5	0,15	20	90	125	7
12	12	12.000	28	2600	0,4	0,15	45	190	130	7
25	25	12.000	64	4000	0,5	0,15	36	180	180	8



Material: bellows: stainless steel
hubs: high tensile strength aluminium
screws: DIN 912 - nickel plated

Dimensions: (mm) length dimensions according to DIN ISO 2768 cH

MKP	Øa	b	c	f	h	L ±0,5	ØD1/2min	ØD1/2max
2	24,5 (27,5)	13	7,5 (9,6)	M 3	4,4	35	3	10 (14)
5	24,5 (27,5)	13	7,5 (9,6)	M 3	4,4	36	6	10 (14)
7	34	14	11	M 4	5	47	6	17
8	39,5 (44,5)	16,5	13 (15,5)	M 5	6	51	6	19 (24)
12	39,5 (44,5)	16,5	13 (15,5)	M 5	6	51	6	19 (24)
25	50	17	17	M 5	6	58	10	28

On request all couplings are available with EASY - clamp. (see page 9)

Stock bores D1/D2 (G7)

MKP	Ø4	Ø5	Ø6	Ø6,35	Ø8	Ø9,53	Ø10	Ø12	Ø15	Ø16	Ø19	Ø24
2/5	•	•	•	•	•	•	•					
7			•	•	•	•	•	•	•	•		
8/12			•	•	•	•	•	•	•	•	•	
25							•			•	•	•

Remark: Further boresizes are possible on request.

Ordering example: MKP 5 - D1 = 4^{G7} D2 = 12^{G7}