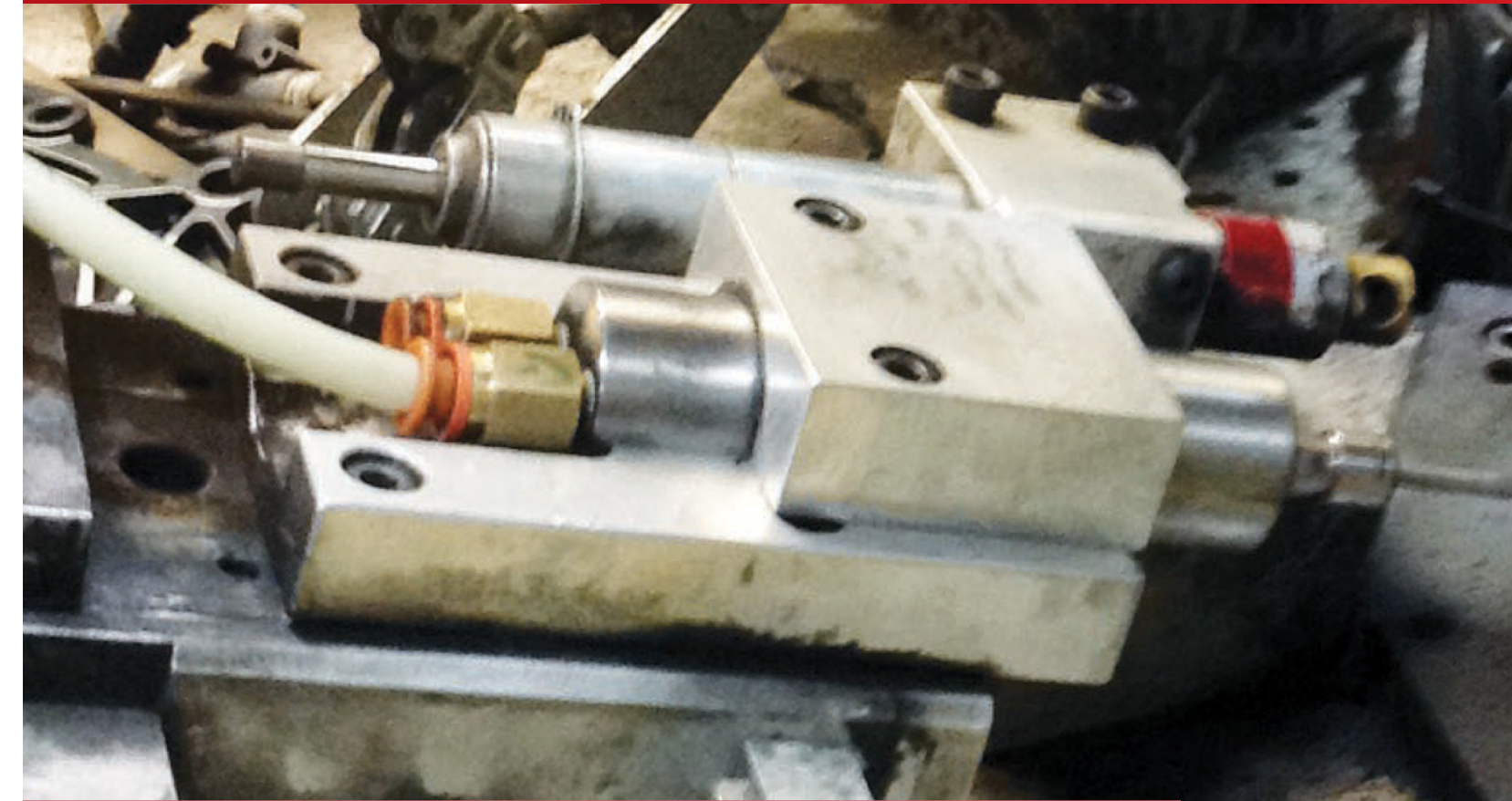


# 450 Aluminium Series Motor Mounts

# Air Turbine Differences

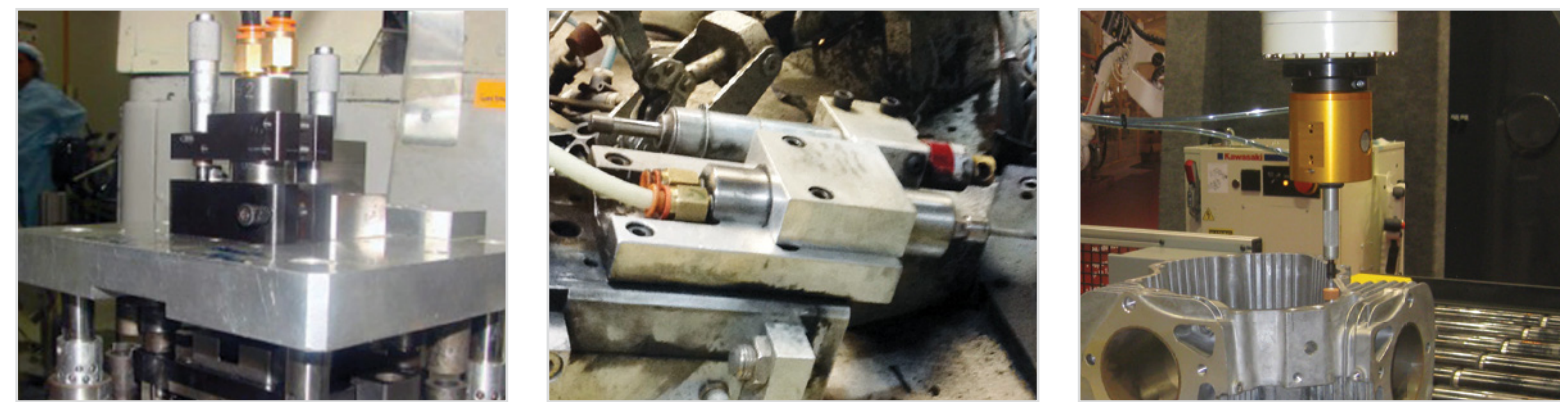


## Motor Mount Series

Constant High Speed and Torque • 25,000 - 65,000 rpm, <1.4 hp / 1.04 kW

- Powerful governed direct drives with no gears: up to 1.4 hp / 1.04 kW.
- Faster feed rates and increased productivity at constant 25,000 - 65,000 rpm.
- Patented constant high speed and torque governed motor cuts materials faster and cleaner.
- 24/7 Operation. No Duty Cycle. Direct Drive for low vibration and heat.
- Totally oil free. No gears or vanes. No lubrication, maintenance or control unit.
- Only two moving parts: turbine + bearings for less repairs.

- 25,000 to 65,000 rpm, 0.15 - 1.40 hp / 0.11 - 1.04 kW. Constant high speed and torque under variable load.
- Greater accuracy, faster feed rates, accelerated production.
- Totally oil-free system; grease-packed bearings.
- High peripheral speed for improved cutting action, cleaner finished surfaces and longer cutting tool life.
- Turbine drive, fewer moving parts, less heat, less repairs. No vanes or gears, no maintenance.
- So Quiet! Under 67 dBA.
- Robotic finishing, milling, drilling and lathe applications.
- Inlet air pressure 90 psi / 6.2 Bar. Dry air only. Up to 30% savings on compressed air consumption.
- 24/7 Operation. No Duty Cycle. No control system. No lubrication.
- Standard double front and double rear ceramic bearings on 450 Units.
- Standard ER 8 / ER 11 Collets on 700 Series. ER 11 Collets on 450 Series Units.
- 12 Month Limited Warranty / CE Mark. Collet Wrenches supplied with all tools.



Distributor



Air Turbine Technology, Inc.  
1225 Broken Sound Parkway, NW, Ste. D  
Boca Raton, Florida 33487, USA

Phone: +1-561-994-0500  
Fax: +1-561-994-8097  
info@airturbine.com  
www.airturbine.com



Improved Cutting Action  
Constant High Speed  
Completely Oil Free  
24/7 Operation  
No Duty Cycle

Use couplings / hoses with a minimum internal diameter (id) of 5mm for 720, 722, 730 and 732 units, minimum id of 6.5mm for 740MX units, minimum id of 8mm for 202, 725 and 740XP units and minimum id of 10mm for 210 and 450 units. Always use a 0.3 micron filter and/or extractor where required and check specified psi or L/s air flow. Use 90 psi / 6.2 bar clean, dry, oil-free air only. Use eye protection and follow safety instructions. Supply is subject to Air Turbine Technology Inc, (ATT) distributor policies and upon terms contained in the ATT distributor agreement. Subject to availability, change of specifications, price and terms without notice. All specifications approximate. © 2015 Air Turbine Tools, Inc. All rights reserved.

The **450 Aluminum Series Motor Mounts** are powerful, reliable constant governed high speed solutions.

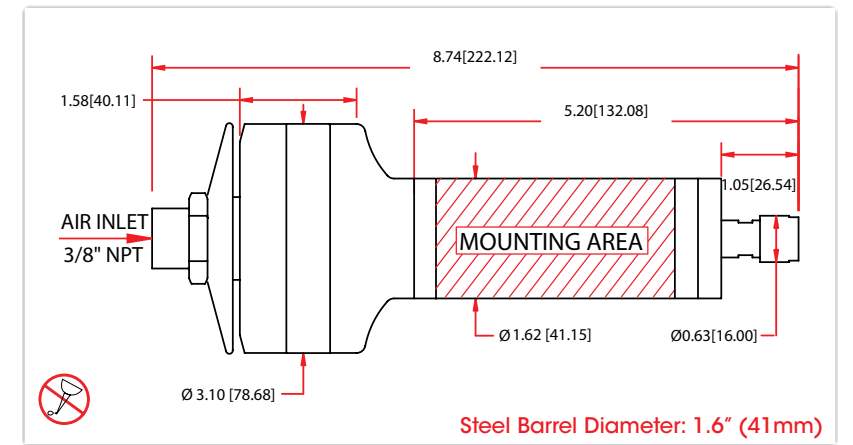
- Lightweight Aluminum Body
- Patented Governed Air Turbine Motor
- Steel Barrel for Easy Mounting
- Great Durability with Only Two Moving Parts
- Virtually Silent Operation, Under 67 dBA
- No Control System or Lubrication

Milling, polishing, drilling, routing, deburring and marking - cleaner at constant high speeds 24/7.  
Totally oil-free system with air cooled grease-packed bearings. No part contamination.  
Fewer moving parts for less maintenance, fewer repairs. No control system required.  
Extend cutting tool life, faster feed rates, finer finished surfaces. Sealed at front end for wet environments.

450HD



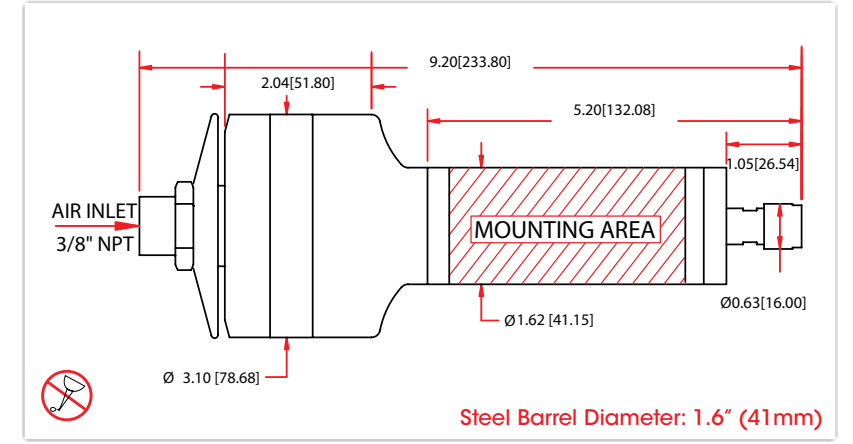
- 25,000 - 40,000 rpm**  
**0.88 hp (0.66 kW)**  
**40 oz (1.13 kg)**
- 0.88 hp (0.66 kW) at governed 40,000 rpm.
  - Use minimum 10mm Internal Diameter hose + couplings. Powerful Workhorse.
  - 24/7 Routing, Milling, Finishing and Drilling.
  - Low vibration < 0.9m/s<sup>2</sup>, < 67 dBA.
  - Double front and rear ceramic bearings.
  - Sealed front end for wet environments



450XHD



- 25,000 - 40,000 rpm**  
**1.4 hp (1.04 kW)**  
**42 oz (1.19 kg)**
- 1.40 hp (1.04 kW) at governed 40,000 rpm.
  - Direct drive reliability with super torque.
  - 24/7 Routing, Milling, Finishing and Drilling.
  - Use minimum 10mm Internal Diameter hose + couplings. Totally Oil-Free.
  - Double front and rear ceramic bearings.
  - Sealed front end for wet environments.



General Specifications	450HD	450XHD
Governed Speed rpm	25,000 / 30,000 / 40,000	25,000 / 30,000 / 40,000
Power Rating hp (kW)	.76 (.57) / .83 (.62) / .88 (.66)	1.2 (.90) / 1.3 (.98) / 1.4 (1.04)
Inlet Air Pressure	90 psi (6.2 bar)	90 psi (6.2 bar)
Idle Air Consumption CFM (L/S)	13 (6.1) / 14 (6.6) / 14 (6.6)	16 (7.55) / 17 (8.02) / 18 (8.50)
Working Air Consumption CFM (L/S)	14 (6.61) - 35 (16.52)	19 (8.97) - 40 (18.89)
Sound Level (with exhaust hose fitted)	Less Than 67 dBA	Less Than 67 dBA
Max Shank Capacity	1/4" (6mm)	1/4" (6mm)

Additional optional collet sizes available. Select desired rpm and collet size part number in Price List.



# 700 Steel Series Motor Mounts

Retrofit constant governed high speed and torque with no duty cycle.

The **700 Series** drop into lathes, swiss automatics, robotics and automated processes to mill, finish or drill at constant high speed and torque. Air cooled ceramic bearings and sealed exhaust fittings enable the **700 Series** to operate in any environment.

Improve cycle times dramatically while reducing costs with patented *Air Turbine Motors*® direct drive units.

Finish quality is improved at constant high peripheral cutting speeds, optimizing cutting performance and tool life.

No lubrication. No control units. Just induce dry, clean 90 psi (6.2 bar) air only. Installation Kits available.

Only two moving parts (the double turbines and bearings), resulting in low heat, low vibration. Great reliability in 24/7 operations.

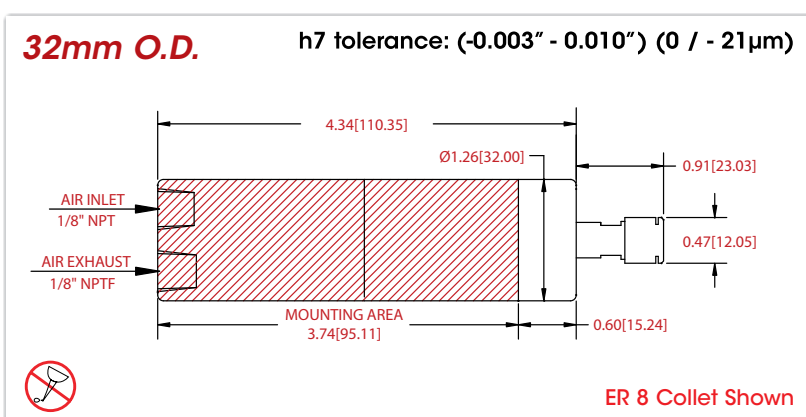
## 732MX



40,000 - 65,000 rpm  
0.40 hp (0.30 kW)

34 oz (0.96 kg)

- Compact powerful governed motor. Marking, drilling, milling, finishing.
- Fewer moving parts, less friction, less vibration, less repairs.
- Ceramic Bearings standard. ER 8 or ER 11 Collet.
- No control unit required, No Duty Cycle.



ER 8 Collet Shown

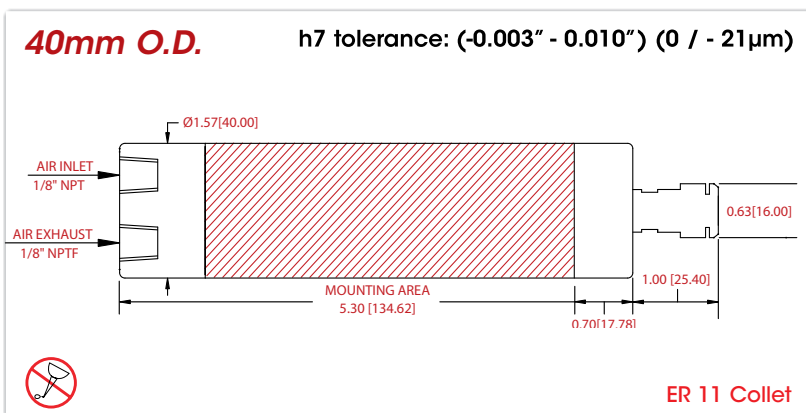
## 740MX



40,000 - 65,000 rpm  
0.40 hp (0.30 kW)

48 oz (1.36 kg)

- Milling, deburring, polishing faster and cleaner.
- Reliable direct drive with no oil and sound under 65 dBA. No Gears or Vanes.
- Ceramic Bearings standard. ER 11 Collet.
- Accelerate production and cut cycle time at governed 65,000 rpm.



ER 11 Collet

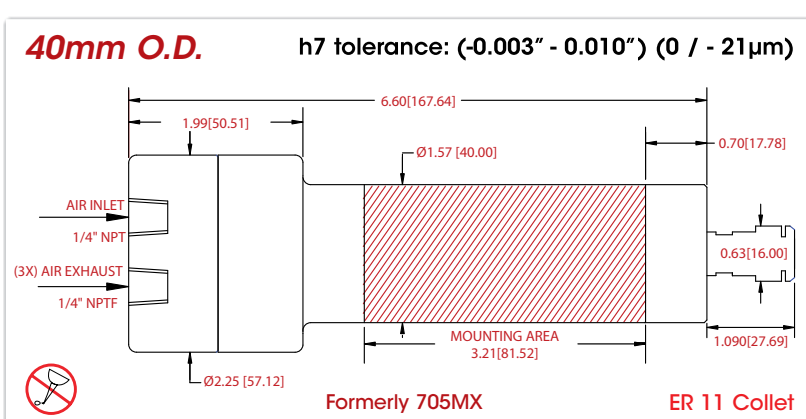
## 740XP



30,000 - 50,000 rpm  
0.95 hp (0.76 kW)

64 oz (1.81 kg)

- Drilling, Deburring, Finishing.
- A powerful workhorse, improve cycle times.
- Governed Constant High Speed + Power.
- Reliable in 24/7 Operations.
- Use minimum 8mm Internal Diameter hose and couplings.



Formerly 705MX ER 11 Collet

# 200 Aluminium Series Motor Mounts

The **200 Aluminum Series Motor Mounts** are powerful, reliable constant governed high speed solutions.

- Lightweight Aluminum Body
- Patented Governed Air Turbine Motor
- Steel Barrel for Easy Mounting

- Great Durability with Only Two Moving Parts
- Virtually Silent Operation, Under 67 dBA
- No Control System or Lubrication

Milling, polishing, drilling, routing, deburring and marking - cleaner at constant high speeds 24/7.

Totally oil-free system with air cooled grease-packed bearings. No part contamination.

Fewer moving parts for less maintenance, fewer repairs. No control system required.

Extend cutting too life, faster feed rates, finer finished surfaces.

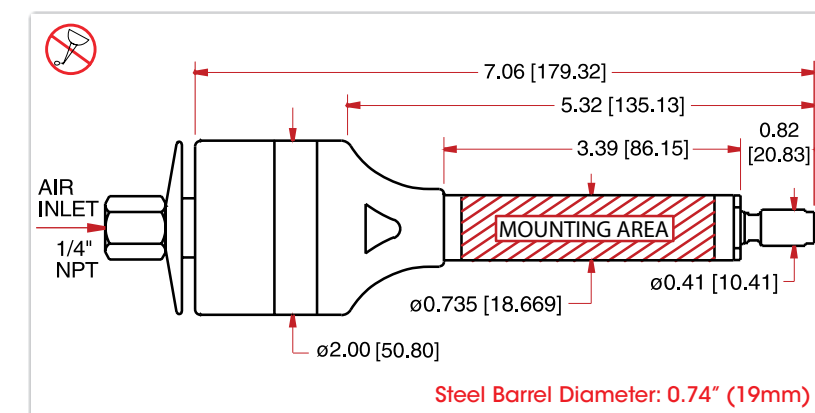
## 202HD



30,000 - 65,000 rpm  
0.55 hp (0.41 kW)

11 oz (0.31 kg)

- Compact durable high speed motors for accelerated production. 24/7 operation.
- Light aluminium body with steel mounting barrel.
- Rubber Drilling, Polishing, Gang Fixturing.
- Metal bearings standard, ceramic bearings optional.



Steel Barrel Diameter: 0.74\"/>

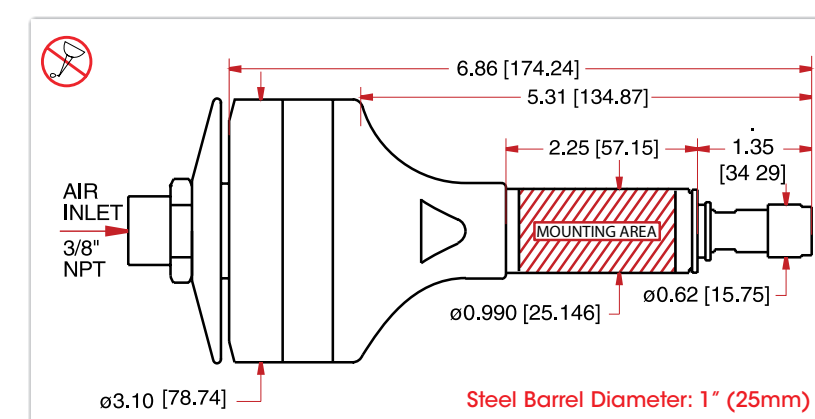
## 210HD



25,000 - 40,000 rpm  
0.88 hp (0.66 kW)

32 oz (0.91 kg)

- Faster, cleaner finishing and deburring.
- Light aluminium body with steel mounting barrel + low vibration.
- Metal bearings standard, ceramic bearings optional.
- Finishing, Polishing, Drilling, Deburring.



Steel Barrel Diameter: 1\"/>

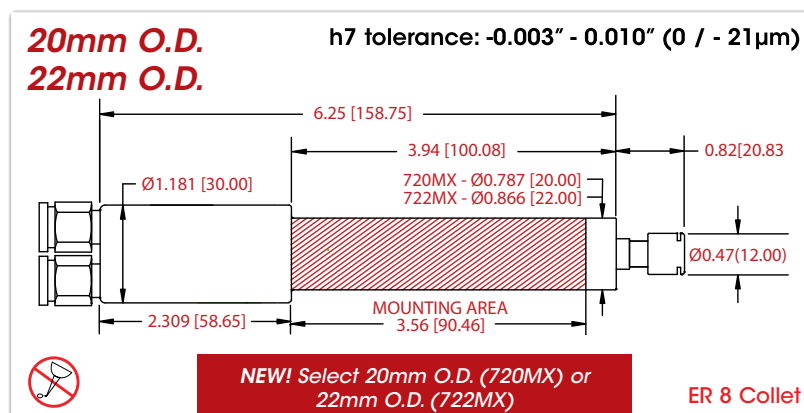
## 720MX, 722MX



40,000 - 65,000 rpm  
0.40 hp (0.30 kW)

16 oz (0.45 kg)

- Select 20mm or 22mm Outside Diameter.
- Star and Brother Lathe Compatible.
- Powerful governed drop-in units up to 65,000 rpm.
- Rigid Steel Body with low vibration and noise.
- No gears vanes or brushes to burn up.
- No Control System - Direct Drive.



NEW! Select 20mm O.D. (720MX) or 22mm O.D. (722MX)

ER 8 Collet

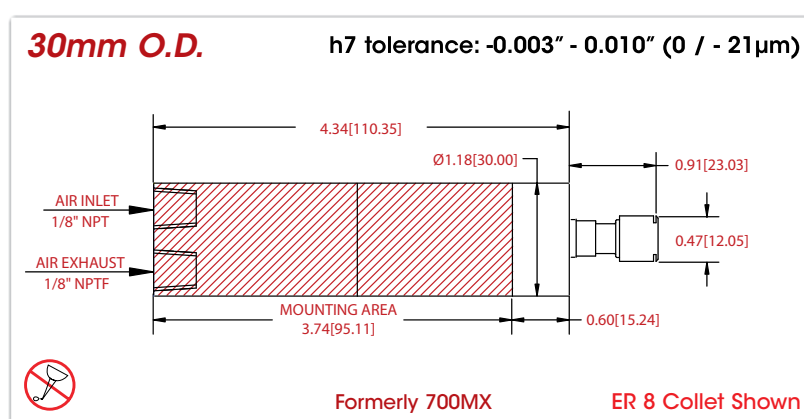
## 730MX



40,000 - 65,000 rpm  
0.40 hp (0.30 kW)

32 oz (0.91 kg)

- Improved Cycle Times.
- Grinding, polishing, milling and drilling at governed constant high speed.
- Maintenance free, direct drive.
- Ceramic Bearings standard. ER 8 or ER 11 Collet.
- X = Patented Double Turbine: Extra Power.



Formerly 700MX

ER 8 Collet Shown

General Specifications	720MX, 722MX	730MX
Governed Speed rpm	40,000 / 50,000 / 65,000	40,000 / 50,000 / 65,000
Power Rating hp (kW)	.3 (.22) / .3 (.22) / .4 (.30)	.3 (.22) / .3 (.22) / .4 (.30)
Inlet Air Pressure	90 psi (6.2 bar)	90 psi (6.2 bar)
Idle Air Consumption CFM (L/S)	4 (1.88) / 4 (1.88) / 4 (1.88)	4 (1.88) / 4 (1.88) / 4 (1.88)
Working Air Consumption CFM (L/S)	6 (2.83) - 9 (4.24)	6 (2.83) - 9 (4.24)
Sound Level (with exhaust hose fitted)	Less Than 65 dBA	Less Than 65 dBA
Max Shank Capacity	1/8\"/>	1/8\"/>

General Specifications	732MX	740MX	740XP
Governed Speed rpm	40,000 / 50,000 / 65,000	40,000 / 50,000 / 65,000	30,000 / 40,000 / 50,000
Power Rating hp (kW)	.3 (.22) / .3 (.22) / .4 (.30)	.3 (.22) / .3 (.22) / .4 (.30)	.8 (.60) / .9 (.68) / .95 (.76)
Inlet Air Pressure	90 psi (6.2 bar)	90 psi (6.2 bar)	90 psi (6.2 bar)
Idle Air Consumption CFM (L/S)	4 (1.88) / 4 (1.88) / 4 (1.88)	5 (2.36) / 6 (2.83) / 6 (2.83)	16 (7.55) / 20 (9.44) / 20 (9.44)
Working Air Consumption CFM (L/S)	6 (2.83) - 9 (4.24)	7 (3.30) - 10 (4.72)	17 (8.02) - 45 (21.2)
Sound Level (with exhaust hose fitted)	Less Than 65 dBA	Less Than 65 dBA	Less Than 65 dBA
Max Shank Capacity	1/8\"/>	1/4\"/>	1/4\"/>

General Specifications	202HD	210HD
Governed Speed rpm	30,000 / 40,000 / 50,000 / 65,000	25,000 / 30,000 / 40,000
Power Rating hp (kW)	.40 (.30) / .45 (.34) / .50 (.37) / .55 (.41)	.76 (.57) / .83 (.62) / .88 (.66)
Inlet Air Pressure	90 psi (6.2 bar)	90 psi (6.2 bar)
Idle Air Consumption CFM (L/S)	10 (4.7) / 13 (6.1) / 14 (6.6) / 14 (6.6)	13 (6.1) / 14 (6.6) / 14 (6.6)
Working Air Consumption CFM (L/S)	11 (5.19) - 20 (9.4)	14 (6.61) - 35 (16.52)
Sound Level (with exhaust hose fitted)	Less Than 67 dBA	Less Than 67 dBA
Max Shank Capacity	1/8\"/>	1/4\"/>

New 700 Sealed Fixture Mount Series Standard Equipment Includes: Ceramic bearings, entry and exhaust hoses, ER 8 or ER 11 Collet and Keys in a carrying case.

Inlet and Exhaust connectors are standard equipment on 700 Series Motors. Select desired rpm and Collet Size Part Number in Price List.

The 200 Series are Aluminium Housing Motors for light weight with steel mounting section for rigidity in fixturing.