

Safety Coupling I Series SKY for indirect drives

- /// with conical clamping hub // with integral ball bearing
- /// for high axial and lateral loads // excellent run-out accuracy
- /// alternative in corrosion-resistant design

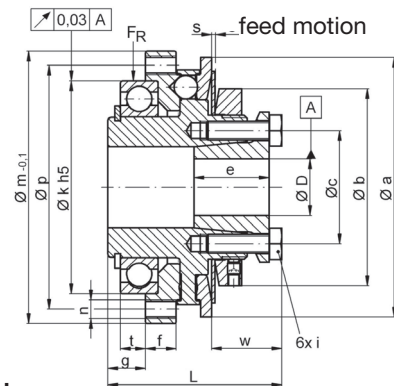
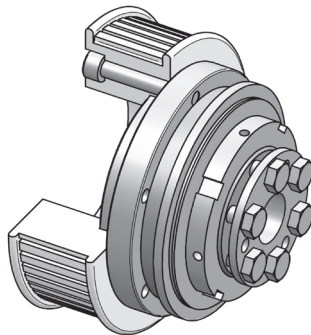
technical data:

SKY size	setting range disengagement torque T_{KA} [Nm]		moment of inertia [10^{-3}kgm^2]	mass approx. [kg]	tightening torque of screws 6x i [Nm]	max. lateral load F_R [N]	bore diameters $\varnothing D$			
							prebored	min	max	
1	0,5	- 1	0,028	0,17	M 3 - ISO 4762	[1,5]	2550	-	5	12
2	1	- 2								
6	2	- 6	0,08	0,30	M 3 - ISO 4762	- [1,5]	5.000	-	5	12
12	6	- 12								
15	8	- 15								
30	13	- 30	0,31	0,65	M 4 - ISO 4762	- [3]	8.000	8	9	17
45	22	- 45							10	17
60	25	- 60	0,95	1,3	M 6 - ISO 4017	- [12]	9.500	11	12	24
100	40	- 100							12	24
150	60	- 150							14	24
230	80	- 230	3,8	2,9	M 6 - ISO 4017	- [12]	23.000	17	18	35
330	130	- 330							22	35
500	200	- 500	10	5,1	M 8 - ISO 4017	- [30]	30.000	25	28	42
800	350	- 800							30	42
1000	500	- 1000	53	14	M12 - ISO 4017	- [90]	50.000	38	40	65
2000	800	- 2000							42	65
3000	1500	- 3000	160	26	10xM12 - ISO 4017	- [115]	65.000	49	50	80(120)
6000	3000	- 6000							50	80(120)
9000	6000	- 9000							70	80(120)



update version

material:
heat-treated steel
temperature range:
-30°C up to +200°C



Dimensions [mm]: length dimensions according to DIN ISO 2768 cH

SKY	$\varnothing a$	($\varnothing a^*$)	$\varnothing b$	$\varnothing c$	e	f	g	$\varnothing k^{h5}$	$\varnothing m$	$\varnothing p$	L	n	s	t	w
1/2	43	-	33	19	15	6	6,5	30	40	35	33	6xM3	0,8	4	13,7
6/12	48	(42)	33	19	15	8	9,8	42	52	47	39	6xM3	0,9	7	13,8
15/30/45	66	(60)	45	27	18	9	11,5	55	69	62	47,5	6xM4	1,2	8	18,1
60/100/150	83	(76)	63	36,2	24	9	12	68	87	78	55,5	6xM6	1,6	8	22,4
230/330	109	(104)	84	50	27	14	16,5	90	113	102	70	6xM8	1,8	12	24
500/800	132	-	105	62	32	15	17	110	136	124	84	8xM8	2,5	12	33,4
1000/2000	185	-	168	90	45	16	28	140	181	165	130	12xM10	3,7	22,5	64,5
3000-9000	236	-	197	110	53	18/14	22	180	243	200/225	137	12xM10	3,0	14	62

*note: smaller outer diameters of the shift disc are possible (see values in brackets)

** sizes 3000-9000 with shrink disc for bigger bore diameters up to $\varnothing 120$

order example: SKY 60 - $D = 22^{G6}$ - $T_{KA} = 40 \text{ Nm}$
 SKY 150 - corrosion resistant - $D = 22^{G6}$ - $T_{KA} = 120 \text{ Nm}$