



Vacuum generation | Multi-chamber ejectors

FBM – Mini Multi-stage vacuum ejectors

FBM – Mini Multi-stage vacuum ejectors



Product notes

- > Compact and lightweight
- > Operated by switching the compressed air supply on/off
- > Internal silencer

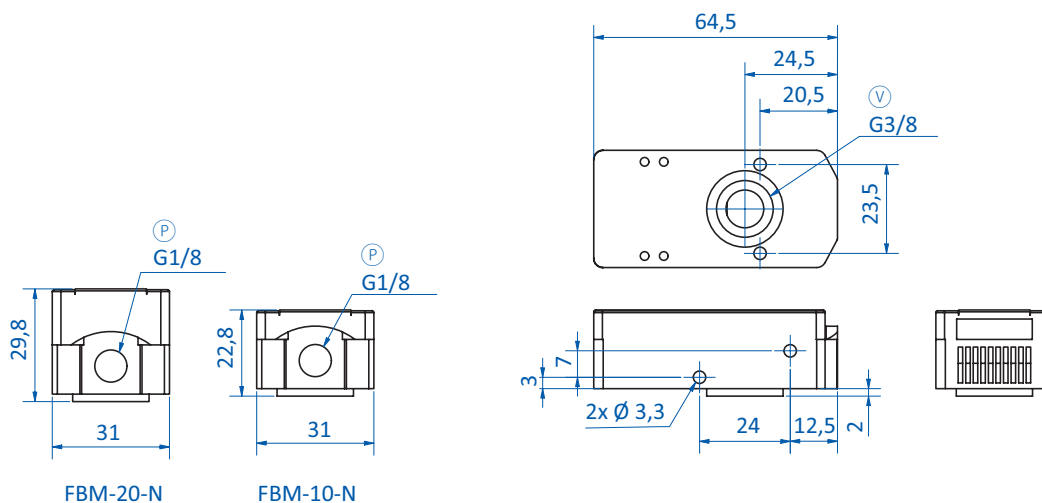
Technical data

Item no.	Optimal operating pressure [bar (psi)]	Optimal suction power [NI/min]	Optimal air consumption [NI/min]	Max. operating pressure [bar (psi)]	Max. suction power at 6 bar (87 psi) [NI/min]	Max. air consumption at 6 bar (87 psi) [NI/min]	Final vacuum [%]	Weight [g]
FBM-10-N-B	4.5 (65.3)	70	30	6 (87)	74	42	85	39
FBM-20-N-B	4.5 (65.3)	141	60	6 (87)	149	84	85	50

Recommended hose inner diameter

Art.-Nr.	Vacuum [mm]	Compressed air [mm]
FBM-10-N-B	6	10
FBM-20-N-B	8	12

Dimensions

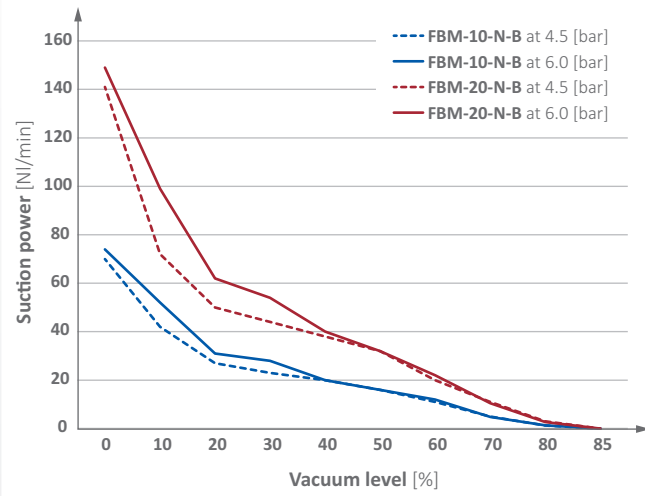


Ⓟ = Compressed air connection Ⓥ = Vacuum connection



Diagrams

> Suction power against vacuum level [NI/min]



> Evacuation time against vacuum level [s/L]

