



# Vacuum generation | Multi-chamber ejectors

FMC – Multi-stage vacuum ejectors, vacuum flow 360 - 1260 NI/min

FMC – Multi-stage vacuum ejectors, vacuum flow 360 - 1260 NI/min



## Product notes

- > Operated by switching the compressed air supply on/off
- > Includes silencer, push-in fitting, vacuum gauge, mounting brackets and screws

## Technical data

| Item no.                | Non-return valve | Optimal operating pressure [bar (psi)] | Suction power at 6 bar (87 psi) [NI/min] | Air consumption at 6 bar (87 psi) [NI/min] | Final vacuum [%] | Weight [g] |
|-------------------------|------------------|--|--|--|------------------|------------|
| <b>FMC-25-L-C1-N-V</b>  | included         | 5 - 6 (72.5 - 87)                      | 360                                      | 105  | 85               | 650        |
| <b>FMC-25-L-C1-N</b>    | not included     | 5 - 6 (72.5 - 87)                      | 360                                      | 105  | 85               | 650        |
| <b>FMC-50-L-C1-N-V</b>  | included         | 5 - 6 (72.5 - 87)                      | 635                                      | 215  | 85               | 650        |
| <b>FMC-50-L-C1-N</b>    | not included     | 5 - 6 (72.5 - 87)                      | 635                                      | 215  | 85               | 650        |
| <b>FMC-75-L-C2-N-V</b>  | included         | 5 - 6 (72.5 - 87)                      | 850                                      | 320  | 85               | 850        |
| <b>FMC-75-L-C2-N</b>    | not included     | 5 - 6 (72.5 - 87)                      | 850                                      | 320  | 85               | 850        |
| <b>FMC-100-L-C2-N-V</b> | included         | 5 - 6 (72.5 - 87)                      | 970                                      | 390  | 85               | 850        |
| <b>FMC-100-L-C2-N</b>   | not included     | 5 - 6 (72.5 - 87)                      | 970                                      | 390  | 85               | 850        |
| <b>FMC-125-L-C3-N-V</b> | included         | 5 - 6 (72.5 - 87)                      | 1,180                                    | 480  | 85               | 1,050      |
| <b>FMC-125-L-C3-N</b>   | not included     | 5 - 6 (72.5 - 87)                      | 1,180                                    | 480  | 85               | 1,050      |
| <b>FMC-150-L-C3-N-V</b> | included         | 5 - 6 (72.5 - 87)                      | 1,260                                    | 620  | 85               | 1,050      |
| <b>FMC-150-L-C3-N</b>   | not included     | 5 - 6 (72.5 - 87)                      | 1,260                                    | 620  | 85               | 1,050      |

## Recommended hose inner diameter

| Art.-Nr. | Vacuum [mm] | Compressed air [mm] |
|----------|-------------|---------------------|
| FMC-25   | 12          | 4                   |
| FMC-50   | 15          | 6                   |
| FMC-75   | 19          | 8                   |
| FMC-100  | 19          | 8                   |
| FMC-125  | 25          | 10                  |
| FMC-150  | 25          | 10                  |



## Model selection

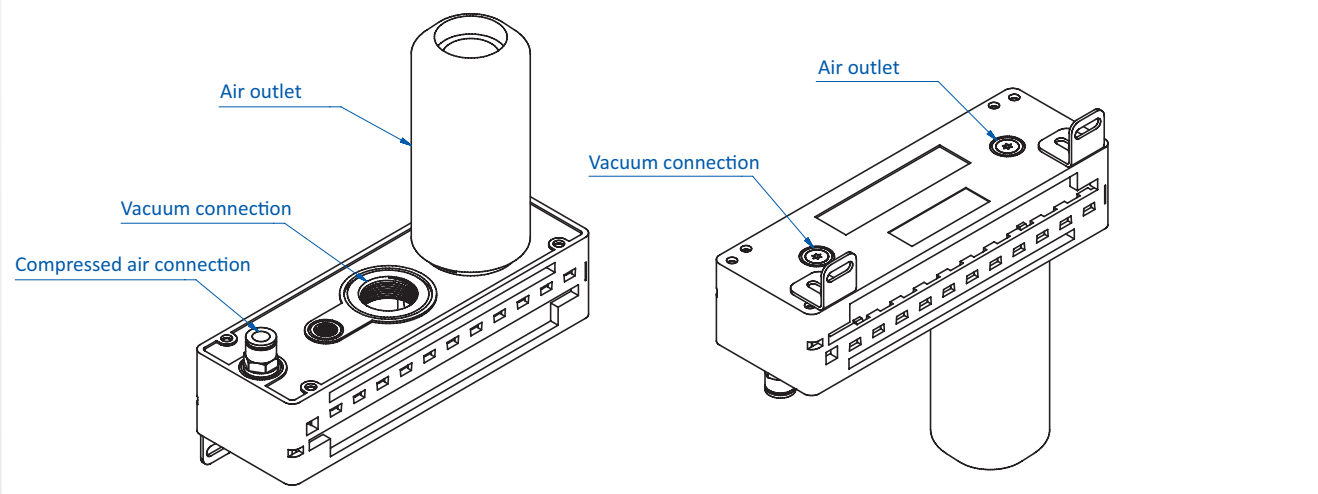
### Ordering example:

FMC-25-L-C1-N-V = Suction power 360 NI/min with non-return valves

FMC-75-L-C2-N = Suction power 850 NI/min with non-return valves

| Series | Suction power            | Series | Non-return valves                   |
|--------|--------------------------|--------|-------------------------------------|
| FMC-   | 25-L-C1 = 360 [NI/min]   | -N     | -V (with)<br><i>blank</i> (without) |
|        | 50-L-C1 = 635 [NI/min]   |        |                                     |
|        | 75-L-C2 = 850 [NI/min]   |        |                                     |
|        | 100-L-C2 = 970 [NI/min]  |        |                                     |
|        | 125-L-C3 = 1180 [NI/min] |        |                                     |
|        | 150-L-C3 = 1260 [NI/min] |        |                                     |

## Description

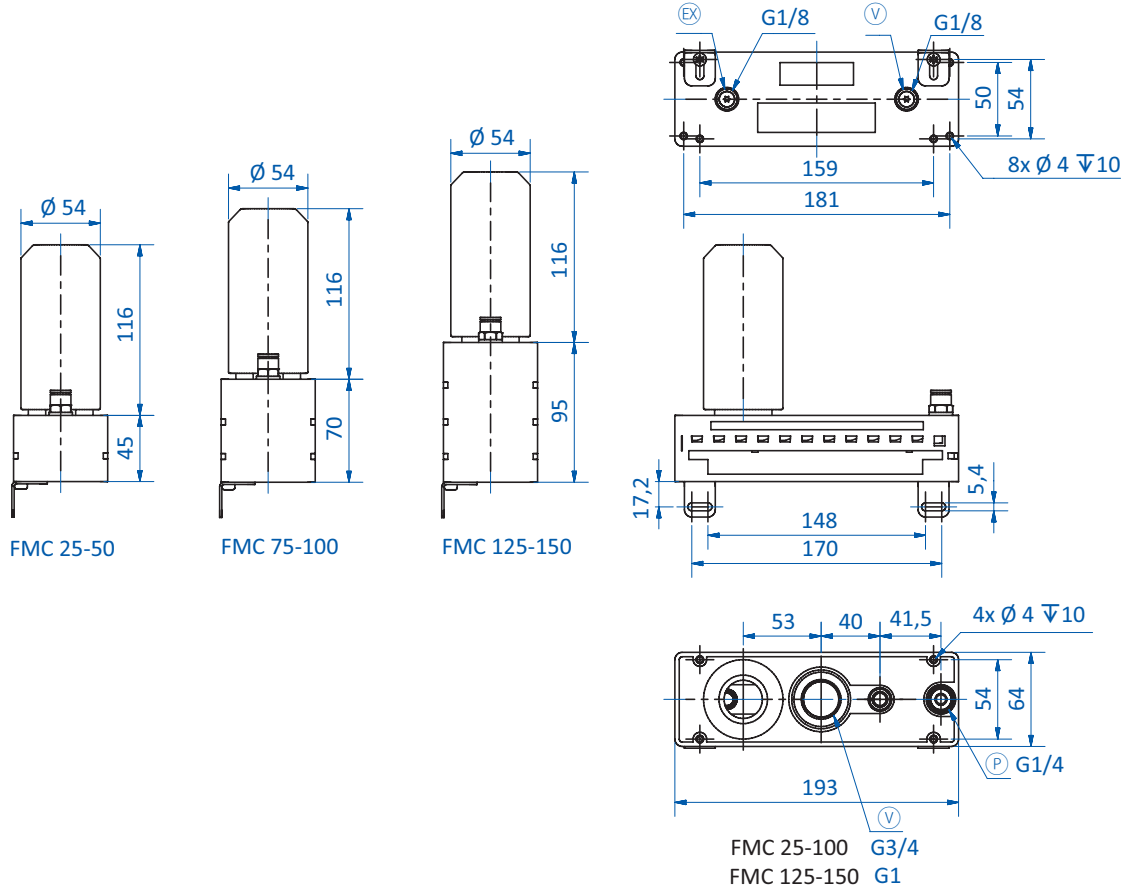




# Vacuum generation | Multi-chamber ejectors

FMC – Multi-stage vacuum ejectors, vacuum flow 360 - 1260 NI/min

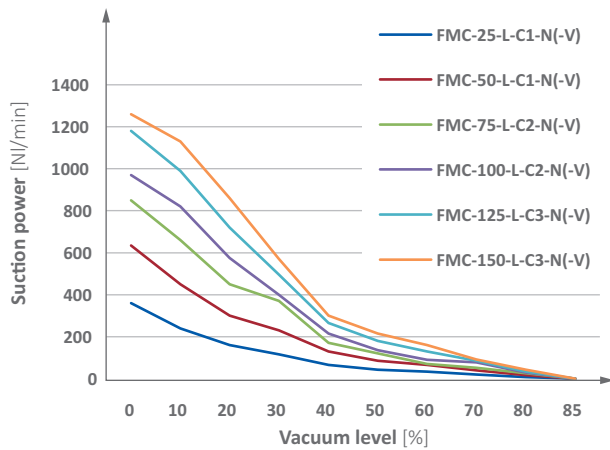
## Dimensions



Ⓟ = Compressed air connection    Ⓥ = Vacuum connection    Ⓧ = Air outlet

## Diagrams

> Suction power against vacuum level [NI/min] at 6 bar (87 psi)



> Evacuation time against vacuum level [s/L] at 6 bar (87 psi)

