

Safety coupling I Series SKY - KP for direct drives

/ with bellow attachment for direct drives / with conical clamping hub for small shaft diameters
 / bellowside with EASY - clamping hub / compensation of misalignments / low restoring forces

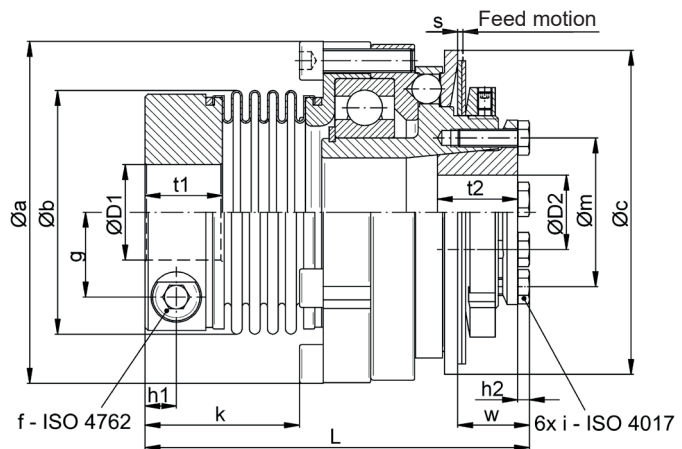
Technical data:

SKY - KP size	static disengagement torque T_{KA} [Nm]	moment of inertia $[10^{-3}kgm^2]$	mass approx. [kg]	torsional stiffness [Nm/arcmin]	max. shaft displacement [mm]		tightening torque of screws		$\varnothing D1$		$\varnothing D2$	
					axial \pm	lateral	„f“ [Nm]	„i“ [Nm]*	min	max	min	max
1	0,5 - 1	0,05	0,25	0,8	0,3	0,1	M3[2]	M3 [1.5]	3	10(14)	4	12
2	1 - 2								3	10(14)	4	12
6	2 - 6	0,11	0,4	2,1	0,5	0,15	M5 [7]	M3 [1.5]	6	19(24)	5	12
12	6 - 12								8	19(24)	5	12
15	8 - 15	0,45	0,9	9	0,5	0,2	M6 [14]	M4 [3]	9	32	9	17
30	13 - 30								12	32	9	17
45	22 - 45								16	32	10	17
60	25 - 60	1,37	1,7	20	0,6	0,2	M8 [35]	M6 [12]	14	38	12	24
100	40 - 100								20	38	12	24
150	60 - 150								25	38	14	24
230	80 - 230	5,0	3,5	28	0,8	0,2	**M10 [65]	M6 [12]	25	43	18	35
330	130 - 330								32	43	22	35
500	200 - 500	12,3	6,1	52	0,8	0,2	**M12 [115]	M8 [30]	35	55	28	42
800	350 - 800	14,4	6,8	106	0,7	0,2	M14 [200]		42	68	30	42
1000	500 - 1000	58	16	150	0,8	0,2	M14 [185]	12 [90]	40	75	40	65
2000	800 - 2000	80	20	250	1,5	0,3	M20 [450]		58	90	42	65

* sizes 1 - 45: ISO 4762 - ** Note: reduced tightening torque for $D > \varnothing 35$ | $D > \varnothing 42$



Material: safety part: heat treated steel
 hub: high tensile aluminium
 bellows: stainless steel
 temperature range: $-30^{\circ}C$ up to $+200^{\circ}C$



Dimensions [mm]: length dimensions according to DIN ISO 2768 cH

SKY - KP	$\varnothing a$	$\varnothing b$	$\varnothing c$	g	h1	h2	k*	$L_{\pm 1}$	$\varnothing m$	s	t1	t2	w
1/2	42	25 (27,5)	43	7,5	4,4	3	25	61,5	19	0,7	8	15	14
6/12	52,5	40 (45)	48	13	6	3	36,6	79	19	0,9	16,5	15	14
15/30/45	69	56	66	19	8	4	43	95	27	1,2	20	18	18
60/100/150	88	71	83	25	9	4	45,5	107	36	1,6	22	24	22
230/330	115	82	109	28,5	11,5	4	52	130	50	1,8	26	27	24
500	137	101	132	35	13	5,3	60	153	62	2,5	29	32	33
800	137	122	132	42	16	5,3	74,5	167	62	2,5	34	32,5	33
1000	181	133	185	47	18,5	7,5	87,5	210 ± 2	90	3,7	45	45	64
2000	181	157	185	58	22	7,5	112	231 ± 2	90	3,7	45	45	64

* Note: - alternative length of bellows are possible on request
 - bellowside with conical hub and disengagement torque up to 9000Nm see series SKY-KS

Ordering example: SKY - KP 30 - $D1 = \varnothing 28^{G6}$ - $D1 = \varnothing 24^{H7}$ - $T_{KA} = 25$ Nm