

PHOENIX

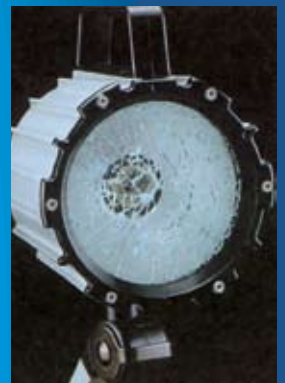
FRANK PHOENIX WORK LIGHT

LED WORK LIGHT

QUARTZ HALOGEN WORK LIGHT

FLUORESCENT WORK LIGHT

LED WARNING LIGHT



LED WORK LIGHT (IP65)

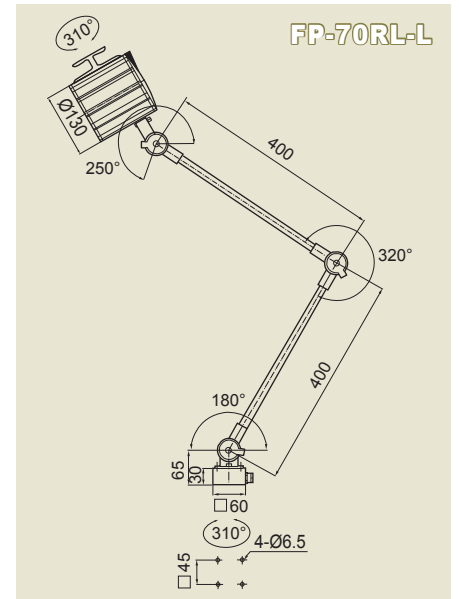
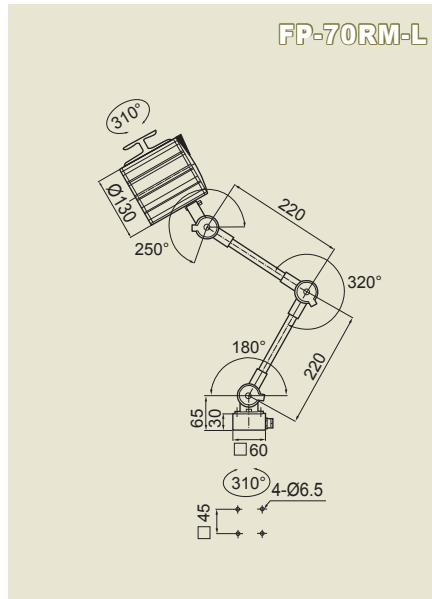
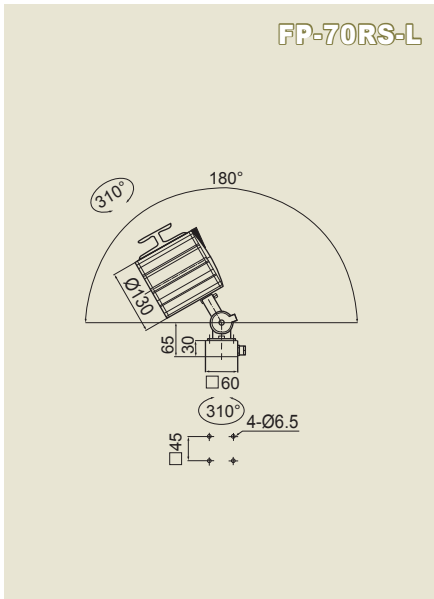
FP-70R-L SERIES

Increase your working spirit and minimize eye strain with new LED work light



FP-70RS-L

FP-70R-L SERIES DIMENSIONS

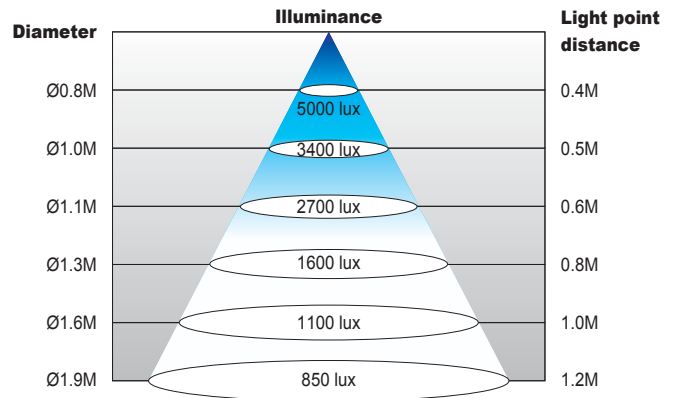


FP-70R-L SERIES

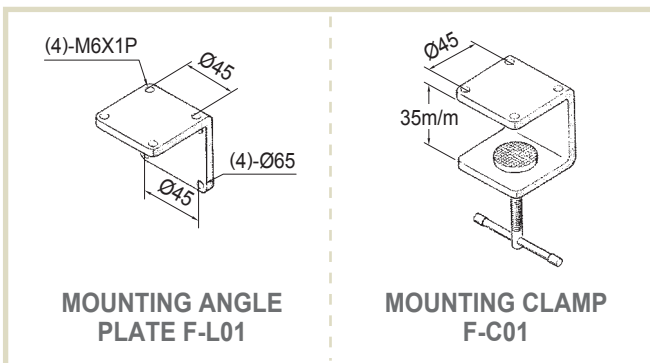
- Round tube arm provides great lighting angles.
- Consists of 6 LED bulbs.(1W)
- Low voltage 12V or 24V operation without danger of electric shock.
- Transformer is available for any voltage.
- The reflection lens built on luminous head affords high lighting efficiency.
- Furnished with 1.8 meters cord without plug.

Power LED

1Wx6 60°

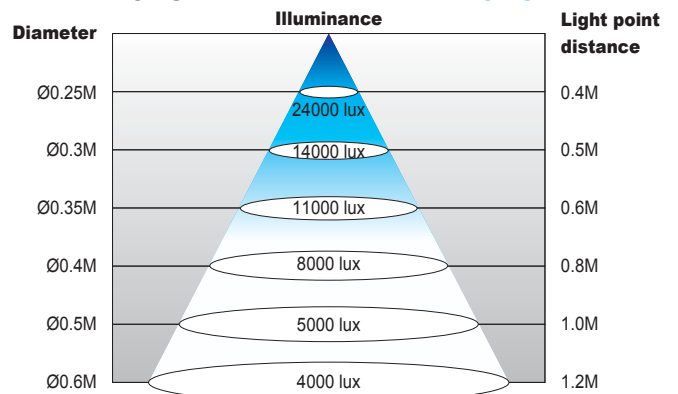


OPTION



Power LED

1Wx6 25°



LED WORK LIGHT (IP65)

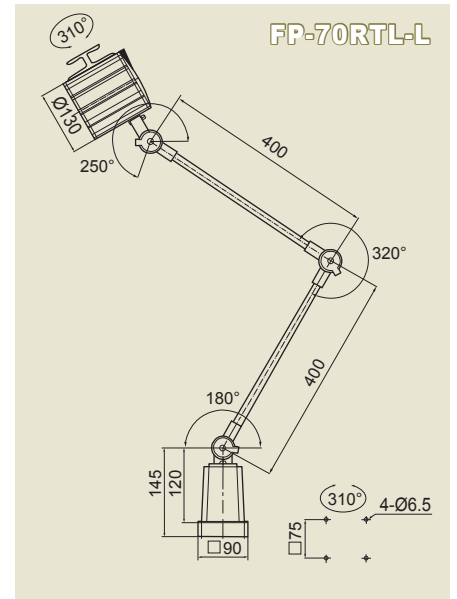
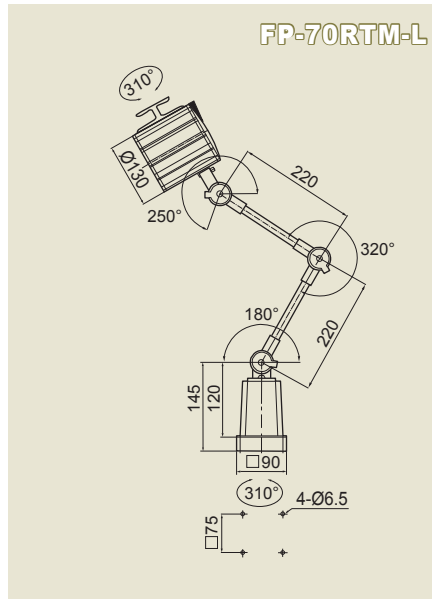
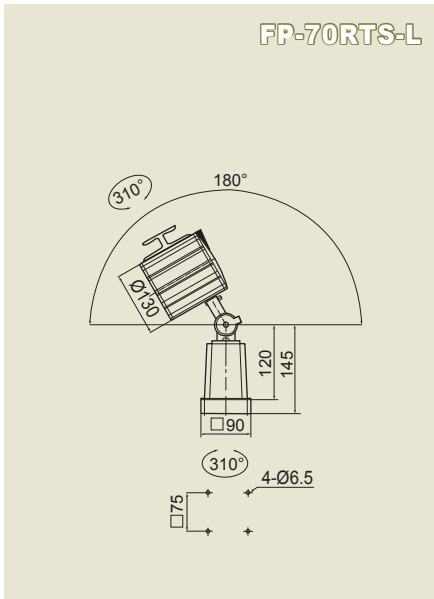


FP-70RTS-L

FP-70RT-L SERIES

Long service life up to extra high lighting efficiency

FP-70RT-L SERIES DIMENSIONS

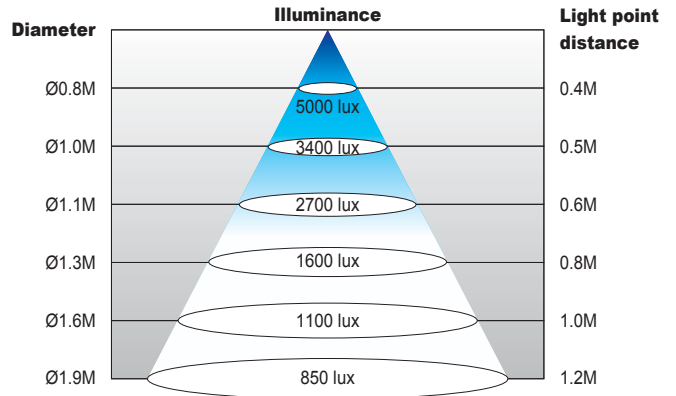


FP-70RT-L SERIES

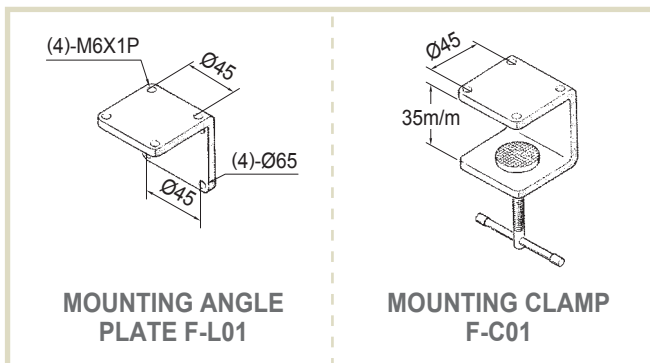
- Round tube arm provides great lighting angles.
- Consists of 6 LED bulbs.(1W)
- Coil transformer is built in base for directly connecting to voltage of AC power.(100V~277V)
- Reinforced lens for high crack resistance.
- Well prevention for explosion, dust, coolant and lubricants.
- Furnished with 1.8 meters cord without plug.

Power LED

1Wx6 60°

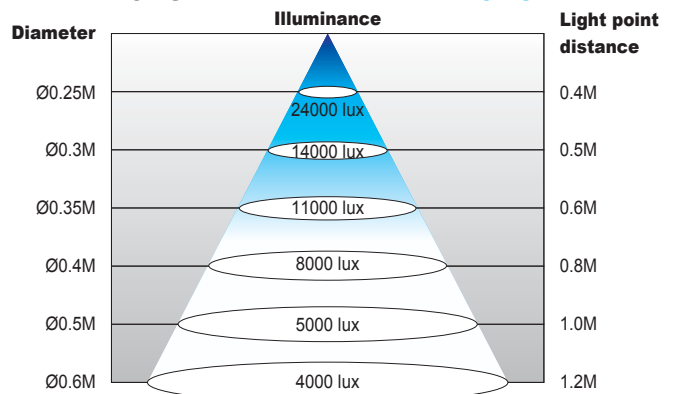


OPTION



Power LED

1Wx6 25°



LED WORK LIGHT (IP65)



FP-50RTS-L

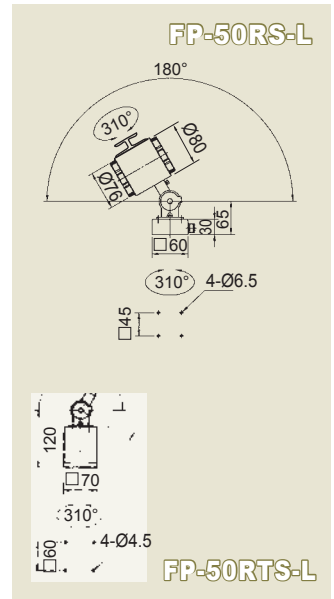
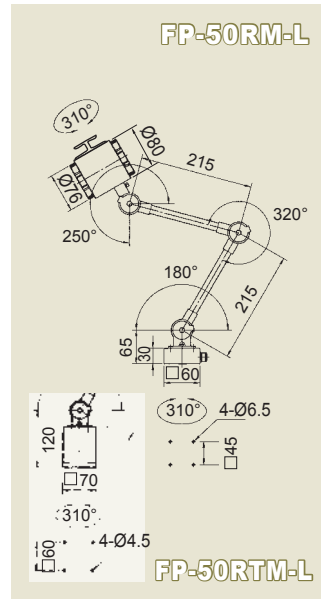
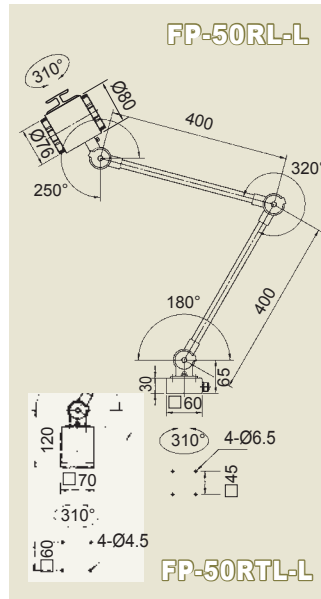
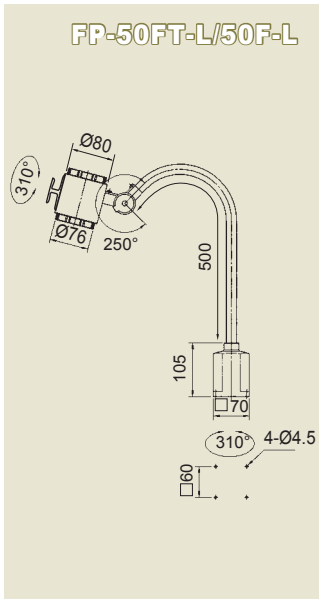
FP-50F-L / 50R-L SERIES

Extra high lighting efficiency !

Long service life !

High intensity !

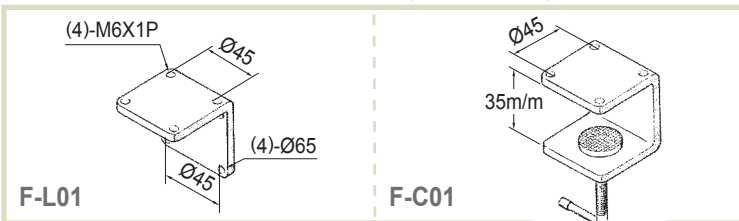
FP-50F-L / 50R-L SERIES DIMENSIONS



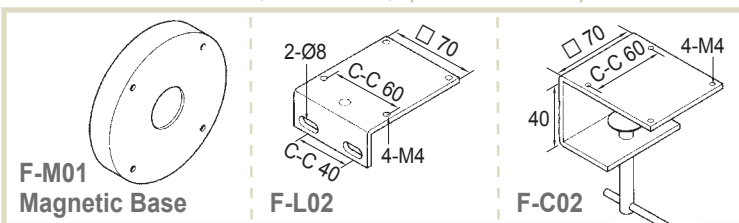
FP-50F-L / 50R-L SERIES

- FP-50FT-L / 50RTL-L / 50RTM-L / 50RTS-L series 100V~260V AC.
- FP-50F-L / 50RL-L / 50RM-L / 50RS-L accommodates 24V AC/DC.
- Consists of 3 LED bulbs.(1W)
- Well prevention for water, lubricants, coolants, dust and other liquids.
- Double shades design permits fast heat dissipation.
- Furnished with 1.8 meters cord without plug.
- Articulated arm provides vibration resistance.

60mm SQUARE BASE(OPTIONAL) (for 24V AC/DC)

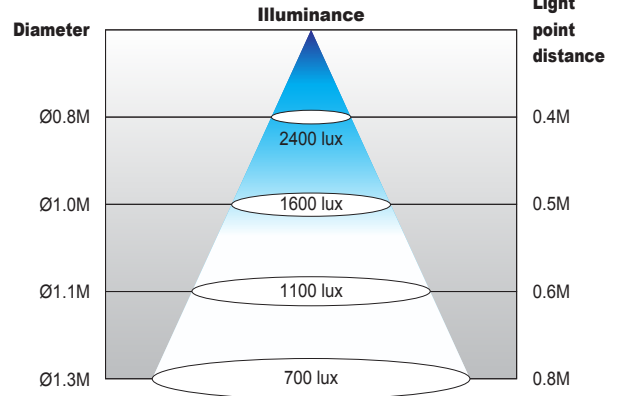


70mm SQUARE BASE(OPTIONAL) (for 100V~260V AC)



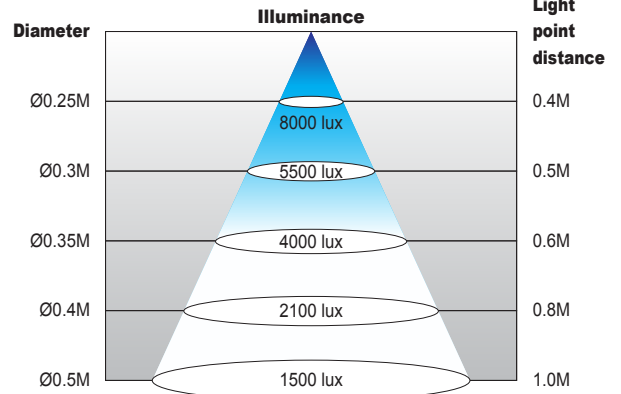
Power LED

1Wx3 60°



Power LED

1Wx3 15°



LED WORK LIGHT (IP20)



Dramatically reduce power consumption and improve lighting quality

FP-20FT-L / FP-35FT-L

- Engineering plastic shade and base provides complete insulation for maximum operator safety.
- Power source available: 100V~277V.
- Transformer built in base.
- 1W x 3pcs.
- Furnished with 1.8 meter (70") cord.
- Available with magnetic base.
- Engineering mounting angle plate. (optional)
- Double shades designed permits fast heat dissipation.
- Length available: 500, 600, 700 and 900 m/m.
- Great light output, soft illuminating without irritating to the eyes.
- Low voltage 24 volt AC/DC operation without danger of electric shock.
- The gooseneck arm provides vibration resistance performance.
- Use top quality electric components.
- Economical model, yet quality constructed. Ideally suitable for machine tools and machinery without big working area.



▲ FP-20FT-L

FP-35FT-L ▶

LED WORK LIGHT (IP20)

FP-20FT-L / FP-35FT-L

The FP-20FT-L and FP-35FT-L LED Light are designed to meet those who require high efficiency and powerful lighting requirements. The series of LED light integrates many outstanding features, making it popular in many locations, such as machines, assembly station, precision working, office and inspection locations etc.

The LED light features low power consumption and extra long service life. With its specially designed interchangeable lamp holder. The LED light can provide three lighting angles as 30°, 45° and 60° by simply changing the lamp holder.

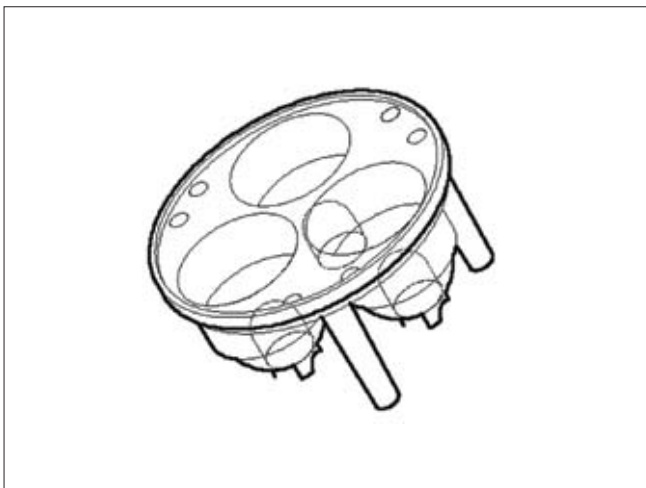
— **Gooseneck arm**

— **30°, 45° or 60° lighting angle**

— **Built-in transformer**

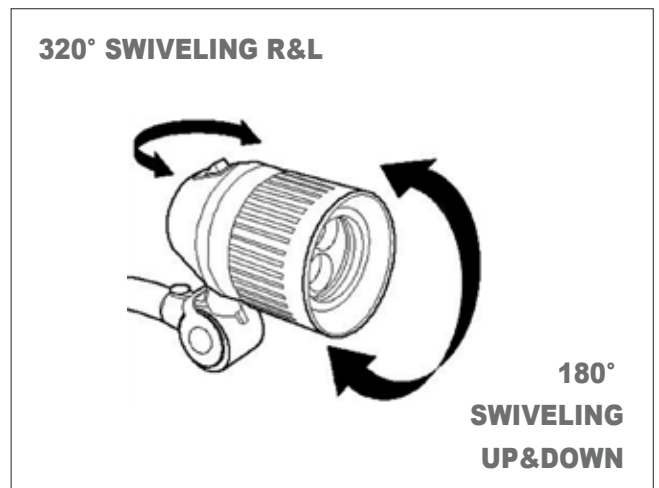
— **Lighting reaches any direction**

— **Custom lighting angle is available**



30°, 45° or 60° Lighting Angle

By simply changing the bulb holder, you can get 30°, 45° or 60° lighting angle.

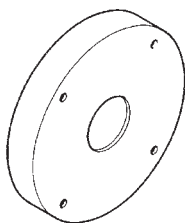


Convenient Head Swiveling (FP-35FT-L)

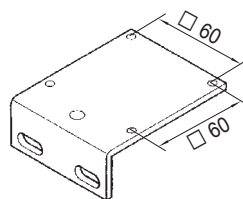
Head permits swiveling to any direction or fixed securely at a position.

OPTION

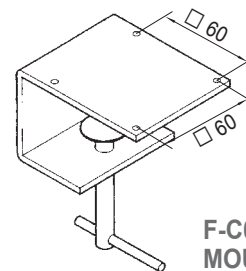
CUSTOM SIZES ARE AVAILABLE.



F-M01 Magnetic Base



F-L02 MOUNTING ANGLE PLATE

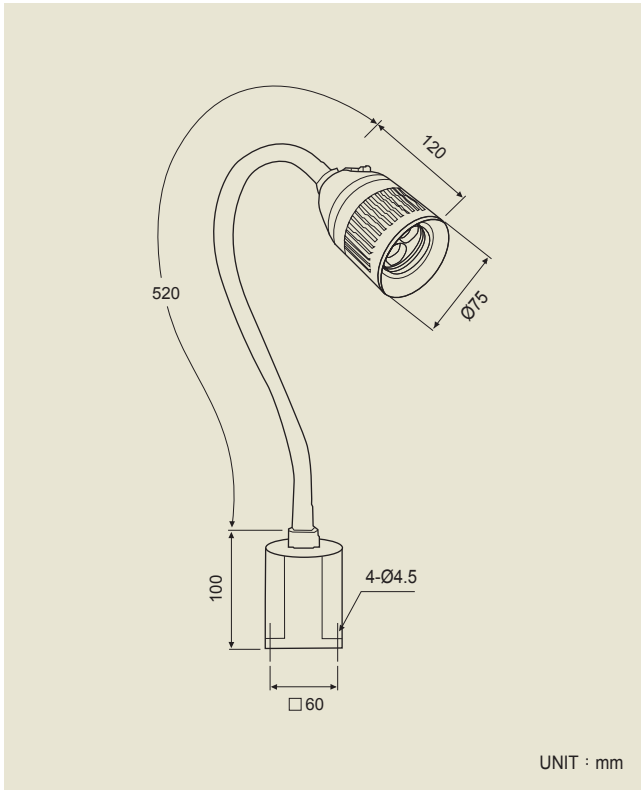


F-C02 MOUNTING CLAMP

LED WORK LIGHT (IP20)

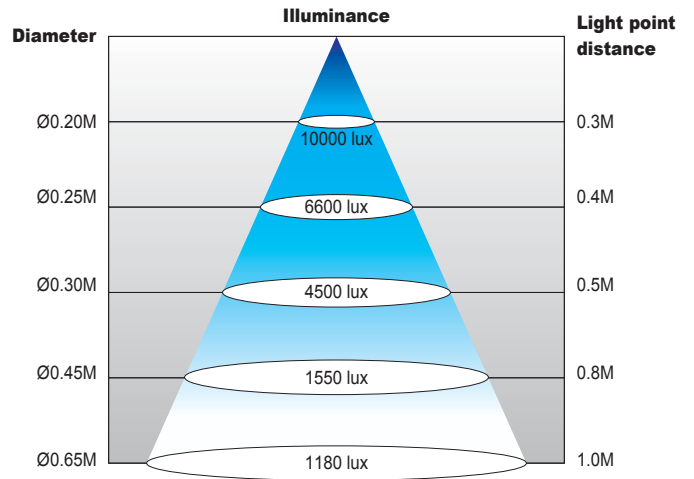
FP-20FT-L / FP-35FT-L

FP-20FT-L DIMENSIONS



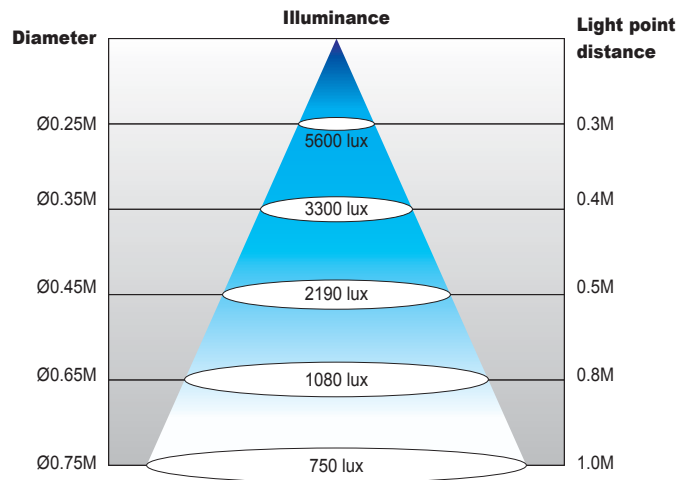
Power LED

1Wx3 30°

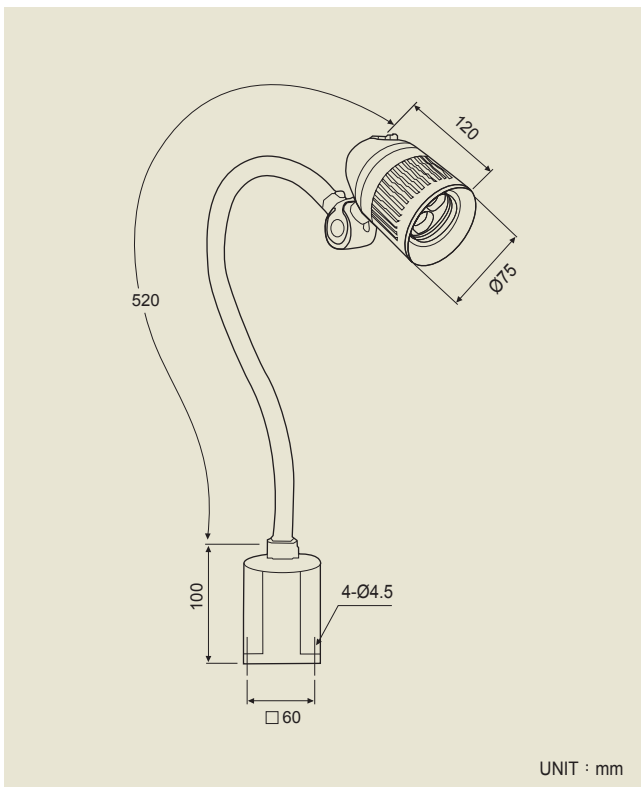


Power LED

1Wx3 45°

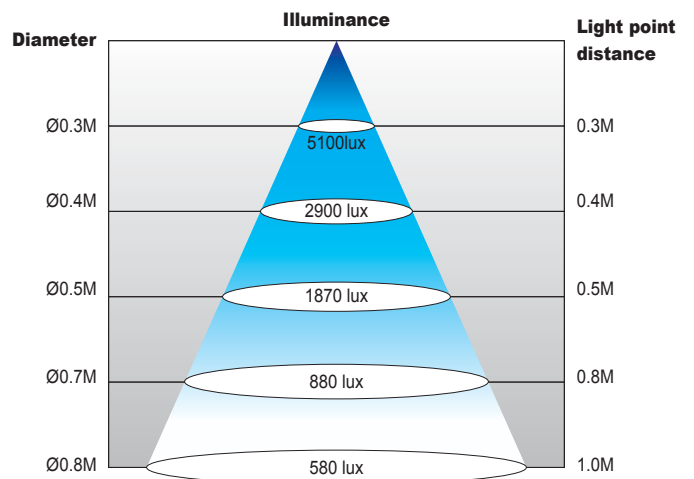


FP-35FT-L DIMENSIONS



Power LED

1Wx3 60°



QUARTZ HALOGEN LAMP

FP-55 SERIES

- The reinforced reflection lens built on luminous head affords high crack resistance performance as well high lighting efficiency which concentrates light on the working object.
- Low voltage operation 24V without danger of electric shock.
- It offers bulb 70W, efficiency w/great light output, soft illuminating without irritating to the eyes.
- Furnished with 1.8 meter code without plug.

THREE MODELS

FP-55L	FP-55M	FP-55S
(Long arm)	(Medium arm)	(Short arm)



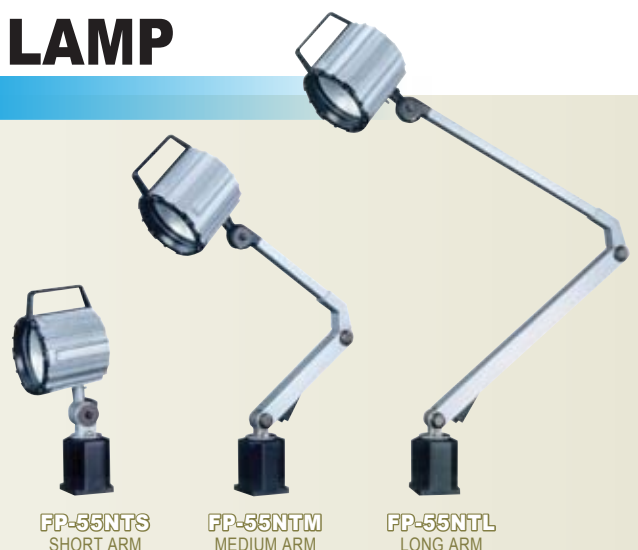
UNIVERSAL HALOGEN LAMP

FP-55NT SERIES (w/transformer)

- Totally enclosed lighting head provides well prevention for explosion, dust, coolant, and lubricants.
- Coil transformer built in base for directly connect to any voltage of AC power (110V, 230V, 380V..) resisting unstable voltage.
- It offers bulb 55W.
- Furnished with 1.8 meter cord with plug.

THREE MODELS

FP-55NTL	FP-55NTM	FP-55NTS
(Long arm)	(Medium arm)	(Short arm)



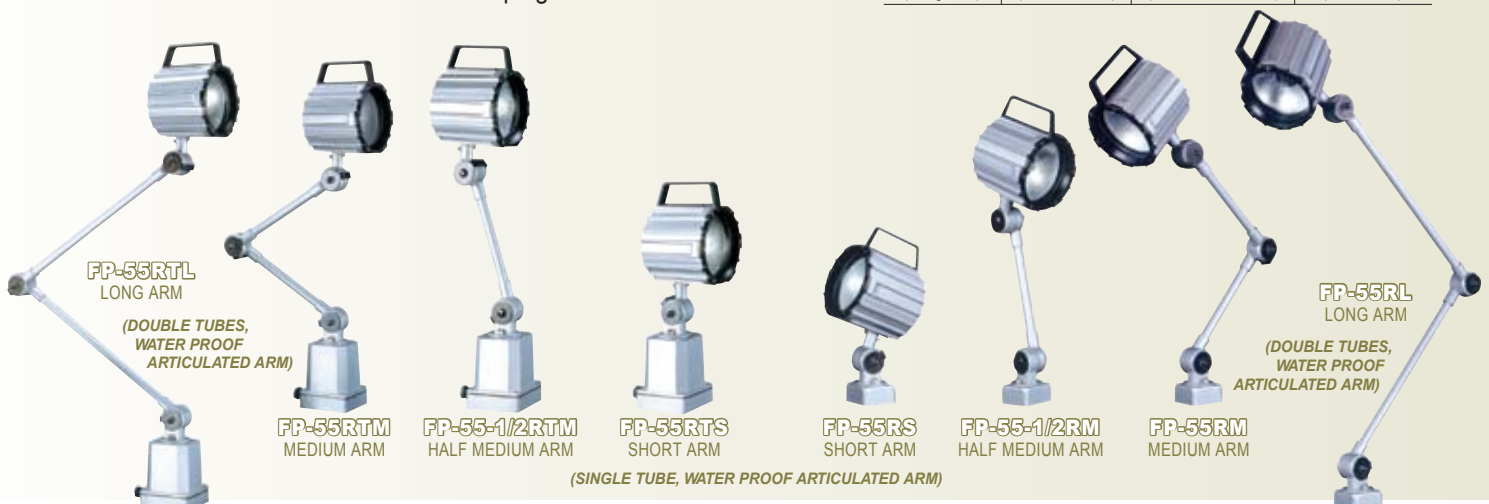
QUARTZ HALOGEN LAMP

FP-55R SERIES / FP-55RT SERIES (w/transformer)

- ROUND TUBE arm provides great lighting angles, vibration resistance performance and WATER PROOF.
- Coil transformer built in base for directly connect to voltage of AC power. (110V, 230V, 380V) (FP-55RT)
- Low voltage 24V operation without danger of electric shock.(FP-55R)
- It offers bulb 70W (FP-55R), 55W (FP-55RT)
- Furnished with 1.8 meter cord without plug.

EIGHT MODELS

FP-55RL/RTL	FP-55RM/RTM	FP-55-1/2RM/RTM	FP-55RS/55RTS
(Long arm)	(Medium arm)	(Half medium arm)	(Short arm)



QUARTZ HALOGEN LAMP

FP-20R SERIES / FP-20RT SERIES (w/transformer)

- ROUND TUBE arm provides great lighting angles, vibration resistance performance.
- Engineering plastic shade and base provide complete insulation.
- Low voltage 12 volt operation without danger of electric shock. (FP-20R)
- Fitted with coil transformer resisting unstable voltage. (FP-20RT)
- Furnished with 1.8 meter cord. (FP-20RT w/plug)
- Offers 20W bulb.

EIGHT MODELS

FP-20RL/RTL (Long arm)	FP-20RM/RTM (Medium arm)	FP-20-1/2RM/RTM (Half medium arm)	FP-20RS/RTS (Short arm)
---------------------------	-----------------------------	--------------------------------------	----------------------------



A removable lamp is available when requested.



The lamp head can be rotated in up/down direction.



FP-20RL
LONG ARM

FP-20RM
MEDIUM ARM

FP-20-1/2RM
HALF MEDIUM ARM

FP-20RS
SHORT ARM

FP-20RTS
SHORT ARM

FP-20-1/2RTM
HALF MEDIUM ARM

FP-20RTM
MEDIUM ARM

FP-20RTL
LONG ARM

QUARTZ HALOGEN LAMP

FP-35R SERIES / FP-35RT SERIES (w/transformer)

- The lamp head could be rotated in UP / DOWN & LEFT / RIGHT direction.
- ROUND TUBE arm provides great lighting angles, vibration resistance performance.
- Engineering plastic shade and base provide complete insulation.
- Low voltage 12V operation without danger of electric shock. (FP-35R)
- Fitted with coil transformer resisting unstable voltage. (FP-35RT)

EIGHT MODELS

FP-35RL/RTL (Long arm)	FP-35RM/RTM (Medium arm)	FP-35-1/2RM/RTM (Half medium arm)	FP-35RS/RTS (Short arm)
---------------------------	-----------------------------	--------------------------------------	----------------------------



The lamp head can be rotated in up/down & left/right direction.

- Offers 20W bulb.
- Double shaded designed permits fast heat dissipation.
- Furnished with 1.8 meter cord. (FP-35RT w/plug)



FP-35RL
LONG ARM

FP-35RM
MEDIUM ARM

FP-35-1/2RM
HALF MEDIUM ARM

FP-35RS
SHORT ARM

FP-35RTS
SHORT ARM

FP-35-1/2RTM
HALF MEDIUM ARM

FP-35RTM
MEDIUM ARM

FP-35RTL
LONG ARM

QUARTZ HALOGEN LAMP

FP-20F SERIES / FP-20FT SERIES (w/transformer)

- Transformer built in base for directly connect to any voltage of AC power (110V, 230V, 380V, 415V...) (FP-20FT)
- GOOSENECK ARM for smooth lighting angle adjustment that lighting could reach any direction.
- Engineering plastic shade and base provide complete insulation for max. operator safety.
 - Complete with 1.8 meter cord. (FP-20FT w/plug)
 - Available with magnetic base as option.
 - Gooseneck arm length: 520mm
 - Offers 20 watt bulb.



OPTICAL FIBER LAMP

- According to the principle of utilizing light-fiber to direct the light source to the tip of light cable, the illumination is the same as the light source.
- The light cable can be pulled to illuminate the dead angle of light source.
- Transformer built in base.
- It offers bulb 35 watt.
- Suitable for use of medical treatment, lab, precision instrument inspection.

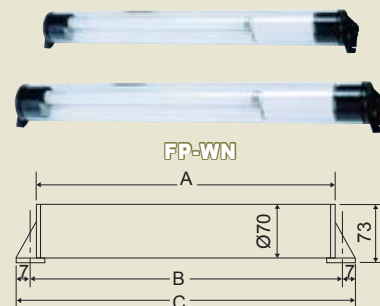
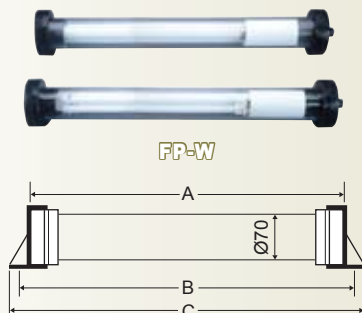
TWO MODELS

FP-20RTL-I	FP-20RTL-II
(Single fiber flex. tube)	(Double fiber flex. tube)

COOL LIGHT LAMP

BUILT-IN BALLAST / FP-W SERIES / FP-WN SERIES

- Various models to choose from 10, 15, 18, 20, 24, 36 to 40 watt.
- Outstanding water-proof performance.
- The outer tube is manufactured from ACRYLIC for outstanding water proof performance.
- Accommodates power source 110V or 230V, single voltage only.
- Furnished with 1.8 meter cord with plug.



FP-W SERIES

MODEL	A	B	C	WATT
FP-W10DB	566mm	591mm	611mm	10W
FP-W15DB	672mm	697mm	717mm	15W
FP-W18DB/PL	480mm	505mm	525mm	18W
FP-W20DB	816mm	841mm	861mm	20W
FP-W24DB/PL	577mm	602mm	622mm	24W
FP-W36DB/PL	669mm	695mm	715mm	36W
FP-W40DB	1484mm	1509mm	1529mm	40W

FP-WN SERIES

MODEL	A	B	C	WATT
FP-WN10DB	566mm	582mm	606mm	10W
FP-WN15DB	672mm	688mm	712mm	15W
FP-WN18DB/PL	480mm	496mm	520mm	18W
FP-WN20DB	816mm	832mm	856mm	20W
FP-WN24DB/PL	577mm	593mm	617mm	24W
FP-WN36DB/PL	669mm	686mm	710mm	36W
FP-WN40DB	1484mm	1500mm	1540mm	40W

MAGNIFYING FLUORESCENT WORK LIGHT

- Designed with a MAGNIFYING lens on luminous head giving 5 times of magnification than actual object.
- The fluorescent lighting provides day light effect without flash.
- 110V or 230V single phase operation only.
- Furnished with 1.8 meter cord with plug.
- Electronic ballast is built in arm.
- Offers 22 watt fluorescent tube.



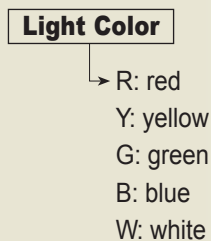
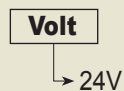
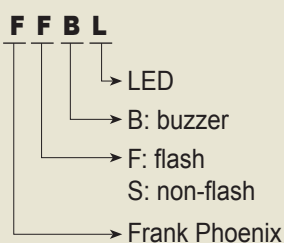
THREE MODELS

FP-30LEB (Long arm)	FP-30MEB (Medium arm)	FP-30TEB (Bench type)
------------------------	--------------------------	--------------------------

LED WARNING LIGHT

- High intensity; uniform brightness.
- Minimum power consumption.
- Long service life up to 100,000 lighting hours.
- Suitable for AC or DC 24V power source.
- Red, yellow, green, blue and white layers for your choice.
- Different mounting methods to meet your requirement.
- White and black base for choice.

MODEL IDENTIFICATION



DIMENSIONS

FP-55 SERIES	FP-55NT SERIES	FP-55R SERIES	FP-55RT SERIES
<p>FP-55S SHORT ARM</p>	<p>FP-55NTS SHORT ARM</p>	<p>FP-55RS SHORT ARM</p>	<p>FP-55RTS SHORT ARM</p>
<p>FP-55M MEDIUM ARM</p>	<p>FP-55NTM MEDIUM ARM</p>	<p>FP-55RM MEDIUM ARM</p>	<p>FP-55RTM MEDIUM ARM</p>
<p>FP-55L LONG ARM</p>	<p>FP-55NTL LONG ARM</p>	<p>FP-55RL LONG ARM</p>	<p>FP-55RTL LONG ARM</p>

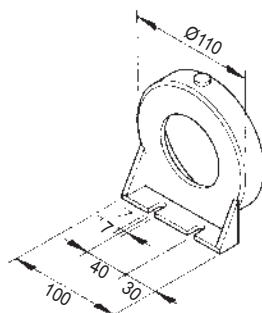
OPTIONAL ACCESSORIES

<p>Built-out type coil transformer</p>	<p>F-M01 Magnetic base for FP-20F/FT, FP-35RT, FP-20RT, FP-55NTS.</p>	<p>F-C01 Mounting clamp for FP-55, FP-55R, FP-55RT, FP-35R, FP-20R series</p>	<p>F-C02 Mounting clamp for FP-20F/FT, FP-55NT, FP-35RT, FP-20RT series</p>	<p>F-L01 Mounting angle plate for FP-55, FP-55R, FP-55RT, FP-20R, FP-35R series</p>	<p>F-L02 Mounting angle plate for FP-20F/FT, FP-55NT, FP-35RT, FP-20RT series</p>
--	--	--	--	--	--

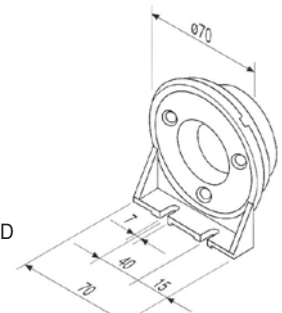
STANDARD ACCESSORIES

For cool light lamp

FP-115
MOUNTING STAND

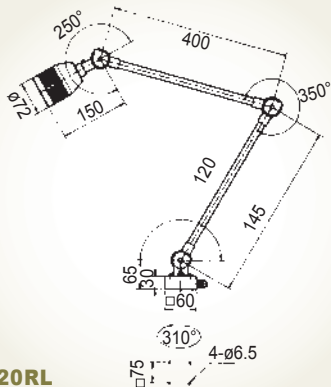


FP-116
MOUNTING STAND



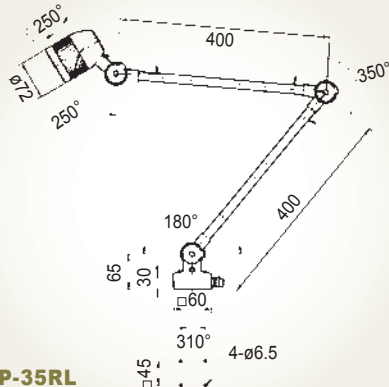
DIMENSIONS

FP-20R/RT SERIES



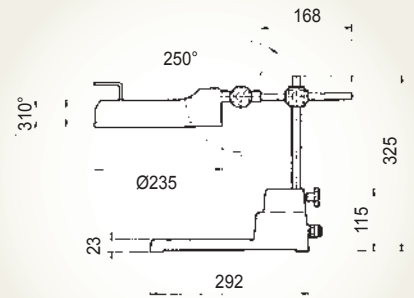
FP-20RL
LONG ARM

FP-35R/RT SERIES

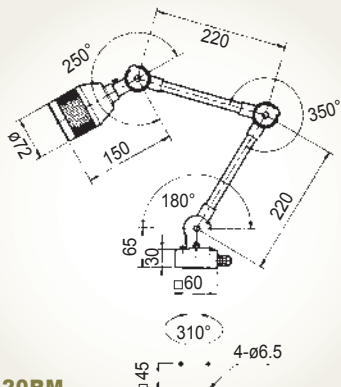


FP-35RL
LONG ARM

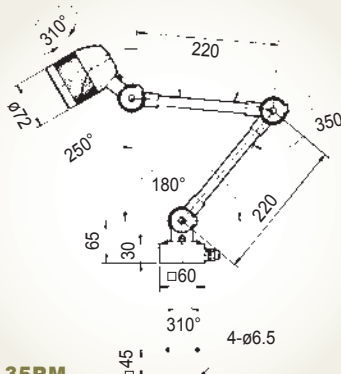
MAGNIFYING FLUORESCENT WORK LIGHT SERIES



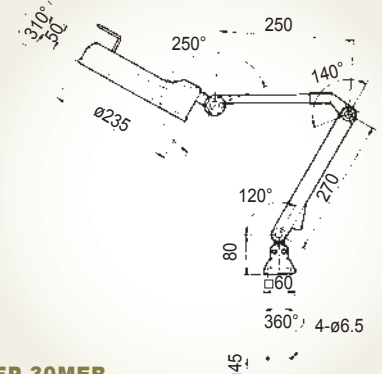
FP-30TEB
BENCH TYPE



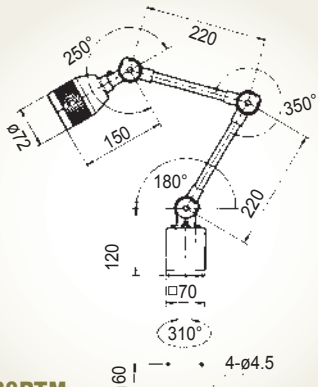
FP-20RM
MEDIUM ARM



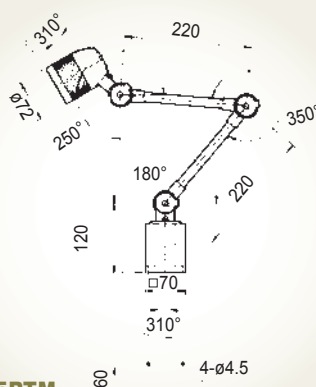
FP-35RM
MEDIUM ARM



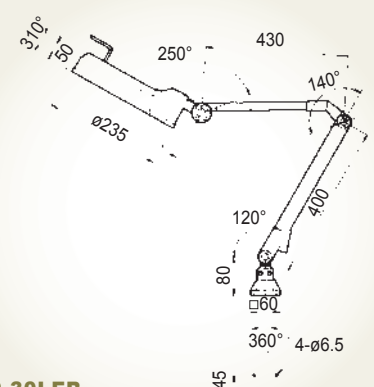
FP-30MEB
MEDIUM ARM



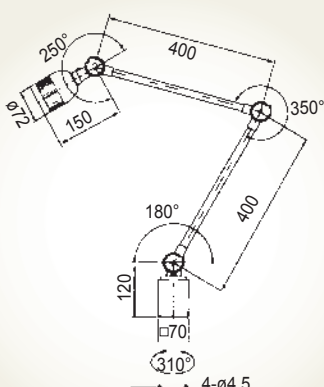
FP-20RTM
MEDIUM ARM



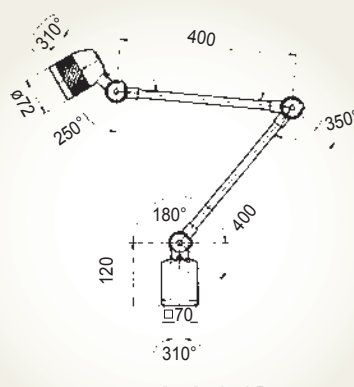
FP-35RTM
MEDIUM ARM



FP-30LEB
LONG ARM

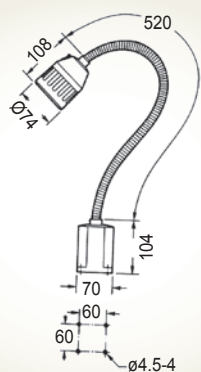


FP-20RTL
LONG ARM



FP-35RTL
LONG ARM

FP-20F/FT



FP-20F/FT

DOUBLE LAMP TUBES FLUORESCENT WORK LIGHT

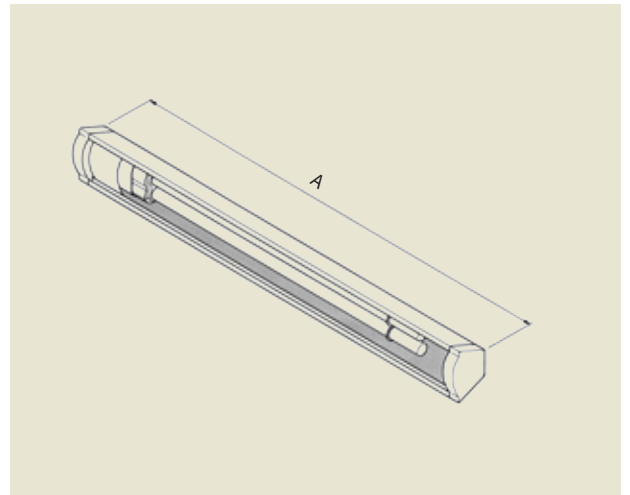
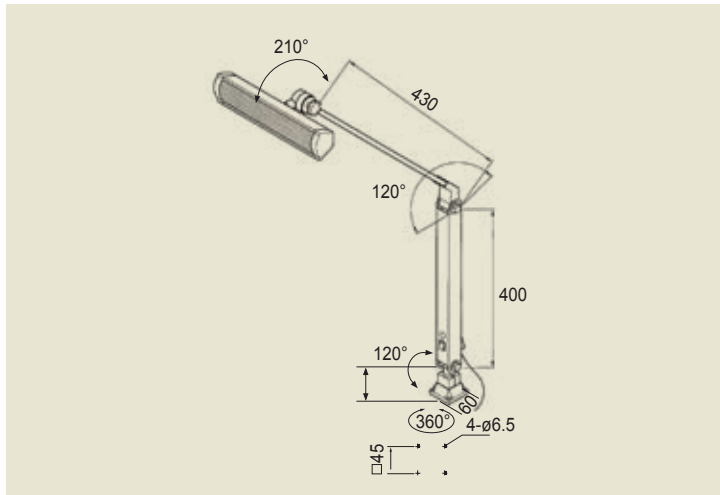
FP-118LEB / FP-124LEB / FP-136LEB / FP-155LEB

Providing day light effect without flash

- Double lamp tubes configuration.
- Totally enclosed lighting head.
- 4 Models to choose from.
- Choice of various watts: 18W,24W, 36W and 55W.



DIMENSION DRAWINGS



SPECIFICATIONS

MODEL	LAMP LENGTH	WATT	VOLT	LUMEN
FP-118LEB	217mm	18 (TC-L18W)	110V or 230V	1200 lm
FP-124LEB	317mm	24 (TC-L24W)		1800 lm
FP-136LEB	411mm	36 (TC-L36W)		2900 lm
FP-155LEB	533mm	55 (TC-L55W)		4800 lm

● The above specifications are subject to change without prior notice.

DIMENSIONS(mm)

MODEL	A
FP-118LEB	350
FP-124LEB	450
FP-136LEB	553
FP-155LEB	628

- **Models FP-118LEB and FP-124LEB are made to order.**
- **Custom specifications are available upon request.**

DOUBLE LAMP TUBES FLUORESCENT WORK LIGHT

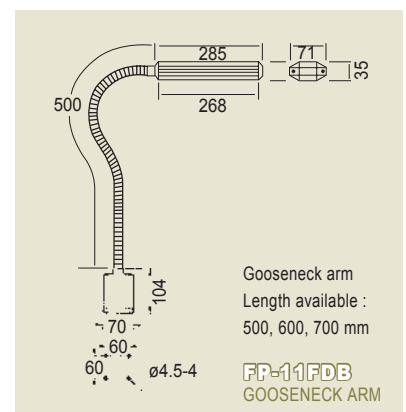
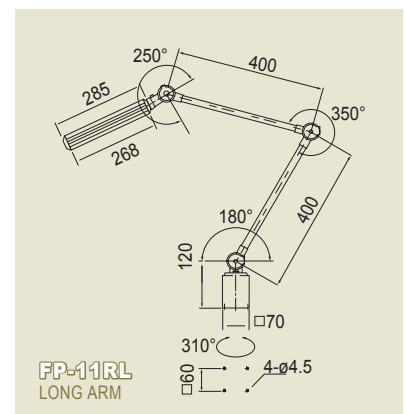
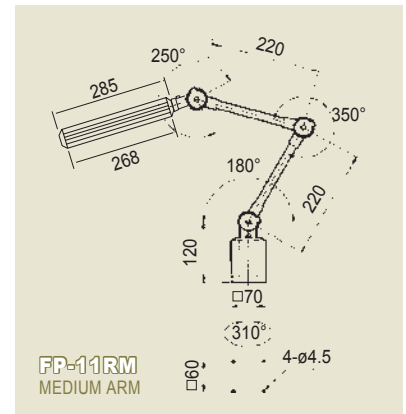
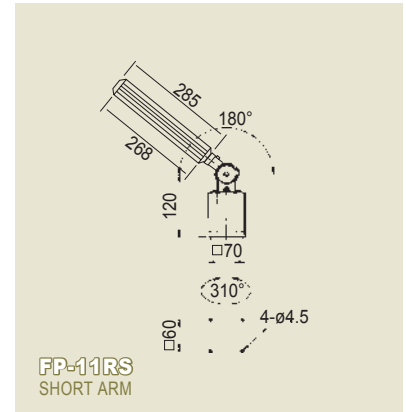
FP-11R SERIES / FP-11FDB



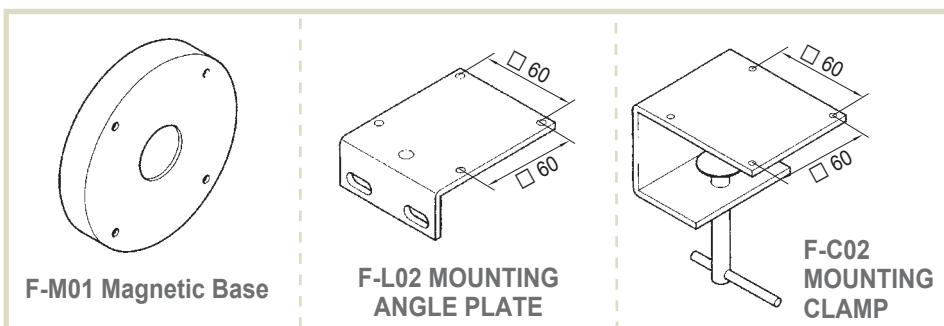
Outstanding Features

- Aluminum lamp head.
- One piece fabricated acrylic front shade.
- Choice of clamp, lock, or magnetic base.
- Modern structure.
- Low power consumption only 11 watt.
- Silver or black color for choice.
- Articulated arm available.
- Low heat emission.
- Ideal for assembly, workshop, or office applications.
- Custom specifications are available.
- Specify your desired voltage 110V (50 or 60 HZ) or 230V (50 or 60 HZ) when ordering.
- Furnished with 1.8 meter (70") cord.

DIMENSION DRAWINGS



OPTION



VARIOUS LIGHTING APPLICATIONS

- *Machine tools*
- *Industrial machinery*
- *STM*
- *Medical*
- *Inspection*
- *Sewing machine*
- *Work bench*
- *Precision production line*
- *Fish water tank*



**FRANK PHOENIX
INTERNATIONAL CORP.**

Machinery Mfg., Exporter & Importer

TOPFIT MACHINERY CO., LTD.

23, Ho-Li Street Sec. 1, Taiping 41144, Taichung, Taiwan
Tel: 886-4-2277-1391(Rep.) Fax:886-4-2277-5822
E-Mail address: sales@frankphoenix.com.tw
fphoenix@ms13.hinet.net
<http://www.frankphoenix.com.tw>