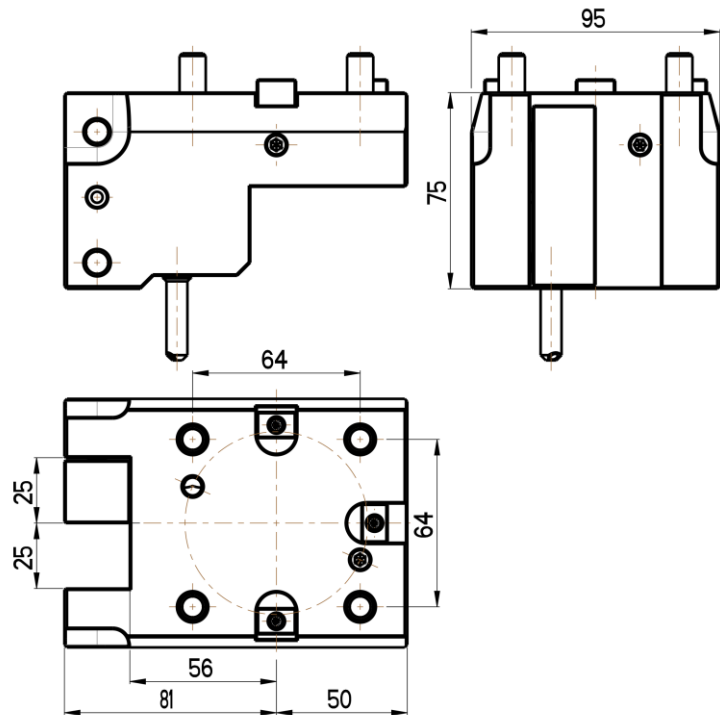
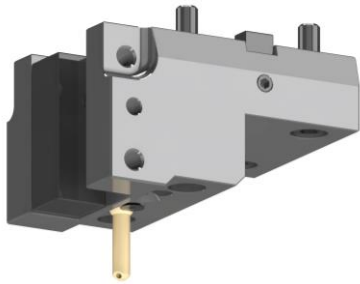
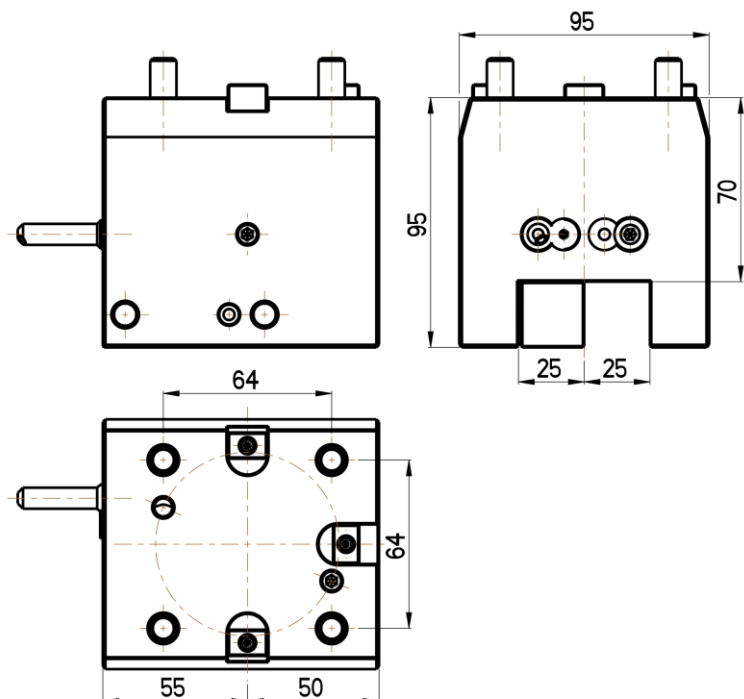
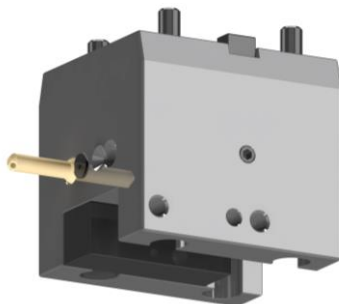


- BMT55  
DOOSAN Lynx 300 M  
PUMA 1500/2000/2500 M/S/Y  
PUMA 2100 Y/LY/SY/LSY  
PUMA 2100/2600/3100 M/Y/MS/SY  
PUMA 230/240/280 M/LM/S  
PUMA GT 2100 M  
PUMA H 250 T M  
PUMA MX 2100 ST/LST  
PUMA TL 2000/2500 M/LM  
Hwacheon Cutex 160  
Victor Vturn A16/A20 YSCM

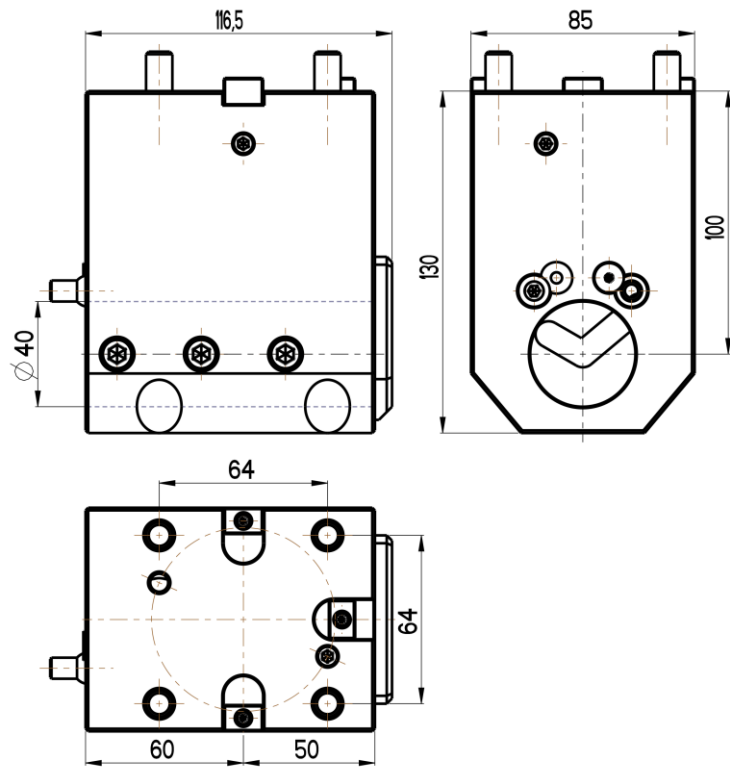
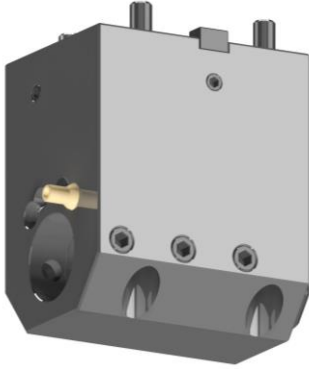
**NGT OD-55x25x75(DO)**



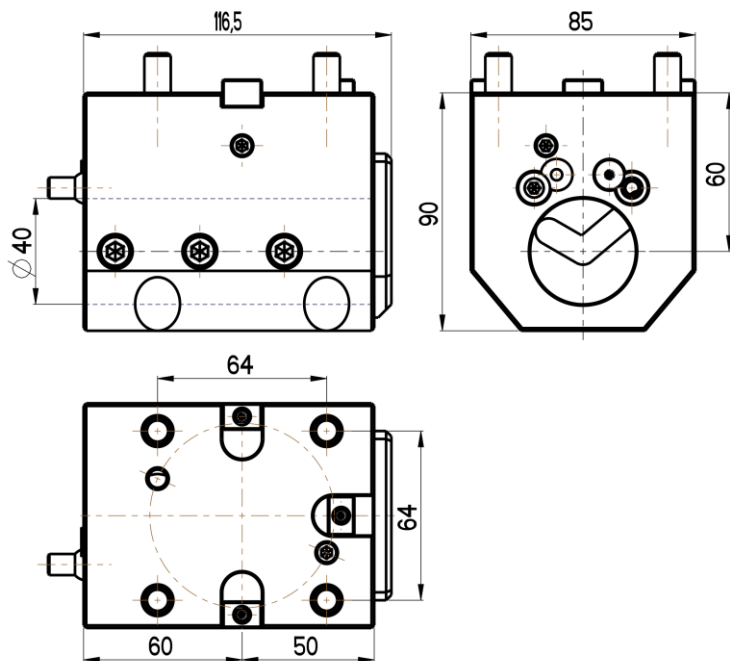
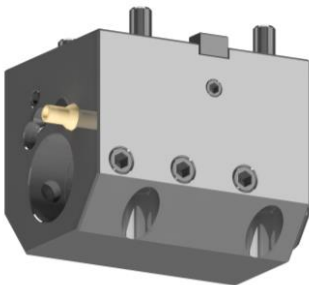
**NGT F-55x25x95(DO)**



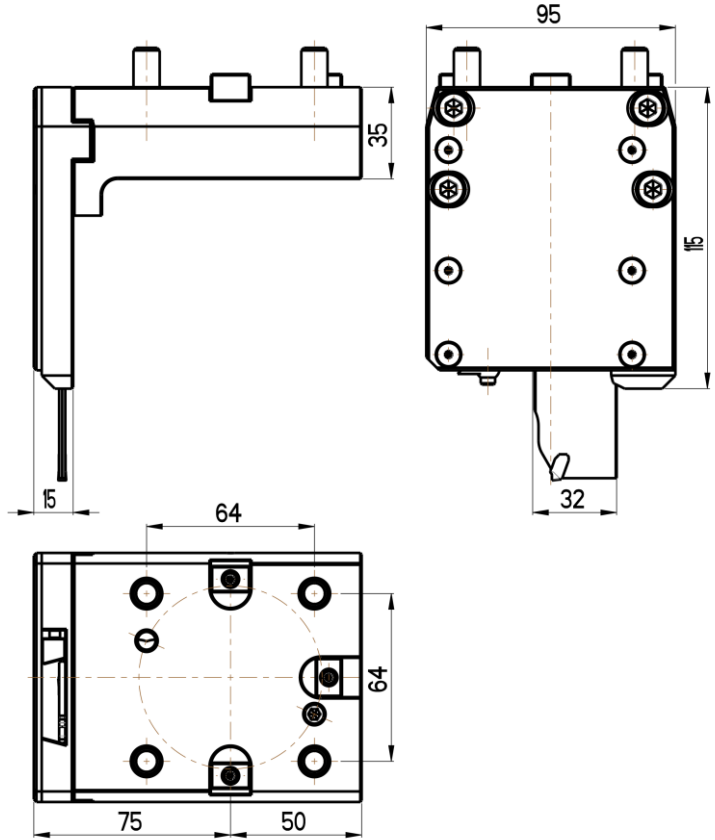
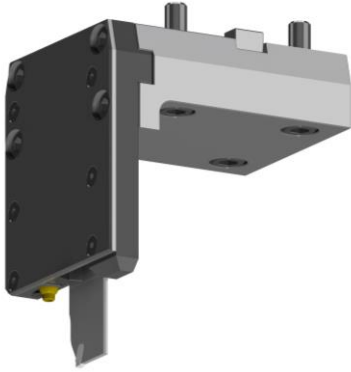
**NGT ID-55x40x100(DO)**



**NGT ID-55x40x60(DO)**



**NGT CR-55x32(DO)**



**NGT CL-55x32(DO)**

