

MACHINE MODEL

CUBO350 NC FLAT

Numerical control automatic sawing machine

Short description

CUBO 350 NC FLAT is the numerically controlled automatic hydraulic sawing machine for the production of pipes in series, profiles, beams and medium-sized bars with the possibility of cutting up to 60 ° to the left in an automatic cycle. Through the Industry 4.0 Ready system, CUBO 350 NC FLAT can be controlled and programmed remotely.



Scan the video



| | |
|-------------------------------------|---|
| Cutting capacity at 0 ° | Round: 305mm - Square: 250mm - Rectangle: 350x200mm |
| Cutting capacity at 45 ° left | Round: 255mm - Square: 230mm - Rectangle: 230x200mm |
| Cutting capacity at 60 ° left | Round: 175mm - Square: 155mm - Rectangle: 170x100mm |
| Cutting capacity with bundle device | max 300x160mm - min 90x10mm |
| Cutting capacity at 0 ° full (C45) | 200mm |
| Blade size | 3370x27x0.9mm |
| Blade motor | 1.8KW |
| Blade speed | 15-100 m/min |
| Motor of the feeder carriage | 0.75KW |
| Minimal waste | 80mm |
| Hydraulic power unit tank capacity | 20l |
| Coolant tank capacity | 100l |
| Minimum length that can be cut | 15mm |
| Maximum cuttable length | 9999mm |
| Weight | 890kg |
| Dimensions | 1850x1900x1990mm |

Height of the work surface

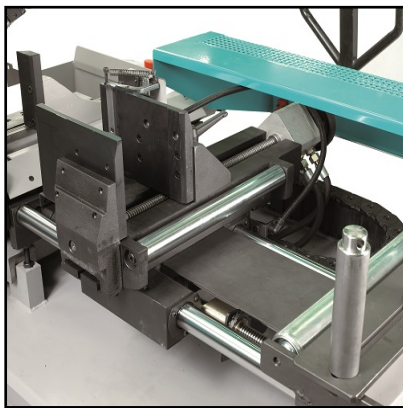
880mm

Features



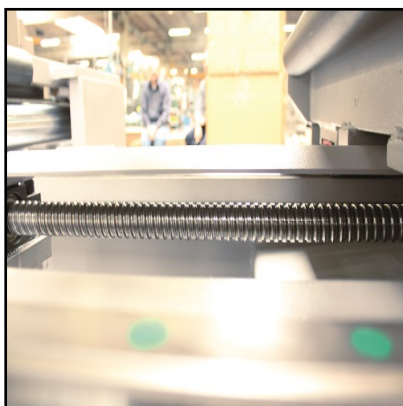
CNC Touch Screen

CUBO 350 NC FLAT is equipped with numeric control via touch screen with the possibility of managing all the operating functions of the machine and controlling the selected cutting program (up to 99 program lines can be set). Using the keyboard, cutting lengths from 4-9999mm can be set with automatic repetition of strokes and total number of pieces to be cut.



Feeder carriage

The sliding of the feeder carriage is on chromed bars. The feeder carriage is on a floating plate to facilitate the loading of non-straight material.



Screw advancement

The cutting precision is ensured by the incremental feed with ball screw and self-braking electric motor with inverter and encoder.



Mechanical feeder device

By means of a feeder, the machine automatically detects the cutting start point for rapid approach to the material. The cutting end adjustment is carried out by means of a microswitch.



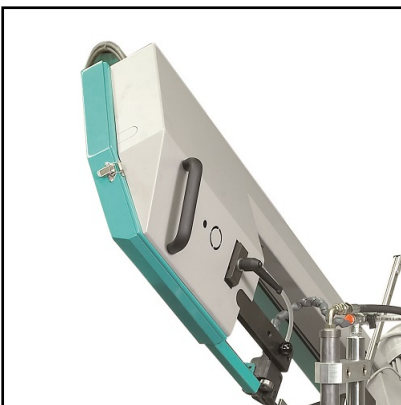
Anti-burr presser

CUBO 350 NC FLAT is equipped as standard with a vertical vice on the unloading side.



Blade speed

The blade speed is managed by an inverter and a servo-ventilated gearmotor. The blade can cut at a speed between 18 and 100 m / min for maximum effectiveness on different materials.



Steel bow

CUBO 350 NC FLAT is equipped with a rigid steel arch with tubular section and 360mm pulleys with hard metal blade guide and additional bearings for belt alignment. Main switch with minimum tension coil, emergency button, thermic and magnetic motor protection



Cleaning the blade

The blade is kept clean by the standard blade cleaning brush.a di serie.



Industry 4.0 Ready - SAWFACTORY (Optional)

OPTIONAL

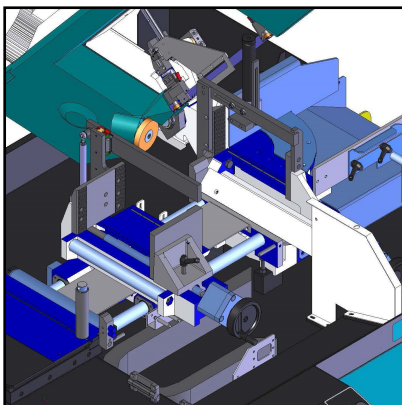
All the automatic saws in the BS range can be connected to the company network via modem: the dedicated software SAWFACTORY is also available for teleservice, assistance, programming and remote management of the cutting process. The software allows you to transfer data and programs from the PC (where the program is created) to the machine via USB. Discover SAWFACTORY: <https://bit.ly/2RuxHuX>



Automatic sawframe rotation with 2 position (Optional)

OPTIONAL

CUBO 350 NC (Flat and Box) are compatible with the automatic sawframe rotation device. The system has mechanical stops with 2 positions and allows to optimize user workflow with mitre cutting on a same bare in automatic cycle. Link: <https://youtu.be/wZAJSwT6x3Y>



Bundle cutting device (Optional)

OPTIONAL

The CUBO automatic band saws in the BOX version can be used with the bundle cutting device. The bundle cut can only be used for 0° cutting. Single piece capacity with mounted device: 350x160mm max, 55x10mm min. Cutting capacity for bundle is: max 300x160mm, minimum 85x10mm. The device can be disassembled using the 2 screws on the fixed vice and the 2 on the carriage vice and disconnecting the hydraulic tubes using the quick couplings systems.



Minimal lubrication system (Optional)

OPTIONAL

It is possible to request for any machine the minimum lubrication which eliminates the dispersion of coolant typical in the use of emulsifiable oil, the duration of the blade is in no way affected.



Motorized chip conveyor (Optional)

OPTIONAL

It's available for all the CUBO SERIES automatic bandsaw an optional motorized chip conveyor placed laterally (on the loading side) of the machine. The chip conveyor allows to optimize the machine efficiency by removing remainings and chips while cutting.



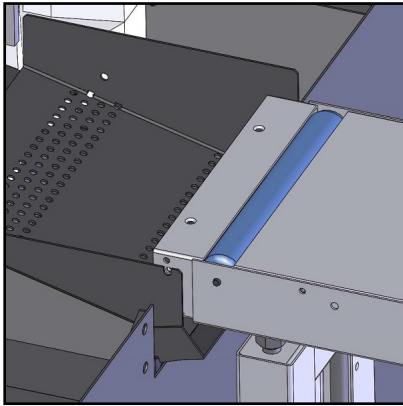
Laser ray (Optional)

OPTIONAL



Angle digital display (Optional)

OPTIONAL



Connection element for roller table (Optional)

OPTIONAL

Connection element for roller table on the loading side.



Loading / unloading roller table (Optional)

OPTIONAL

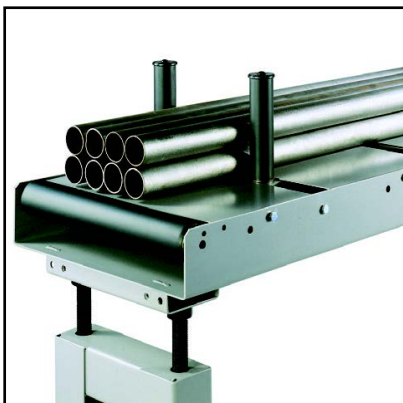
Idle roller table compatible both for the loading and unloading side. First element, 2m in length and maximum capacity 700kg.



Loading / unloading roller table (Optional)

OPTIONAL

Idle roller table compatible for both the loading and unloading sides. Next element with 1 pedestal, 2m long and maximum capacity 600kg.



Pair of vertical rollers (Optional)

OPTIONAL

Pair of vertical steel containment rollers. Maximum 2 couples; single element 2m. To be used without rollers cover.