

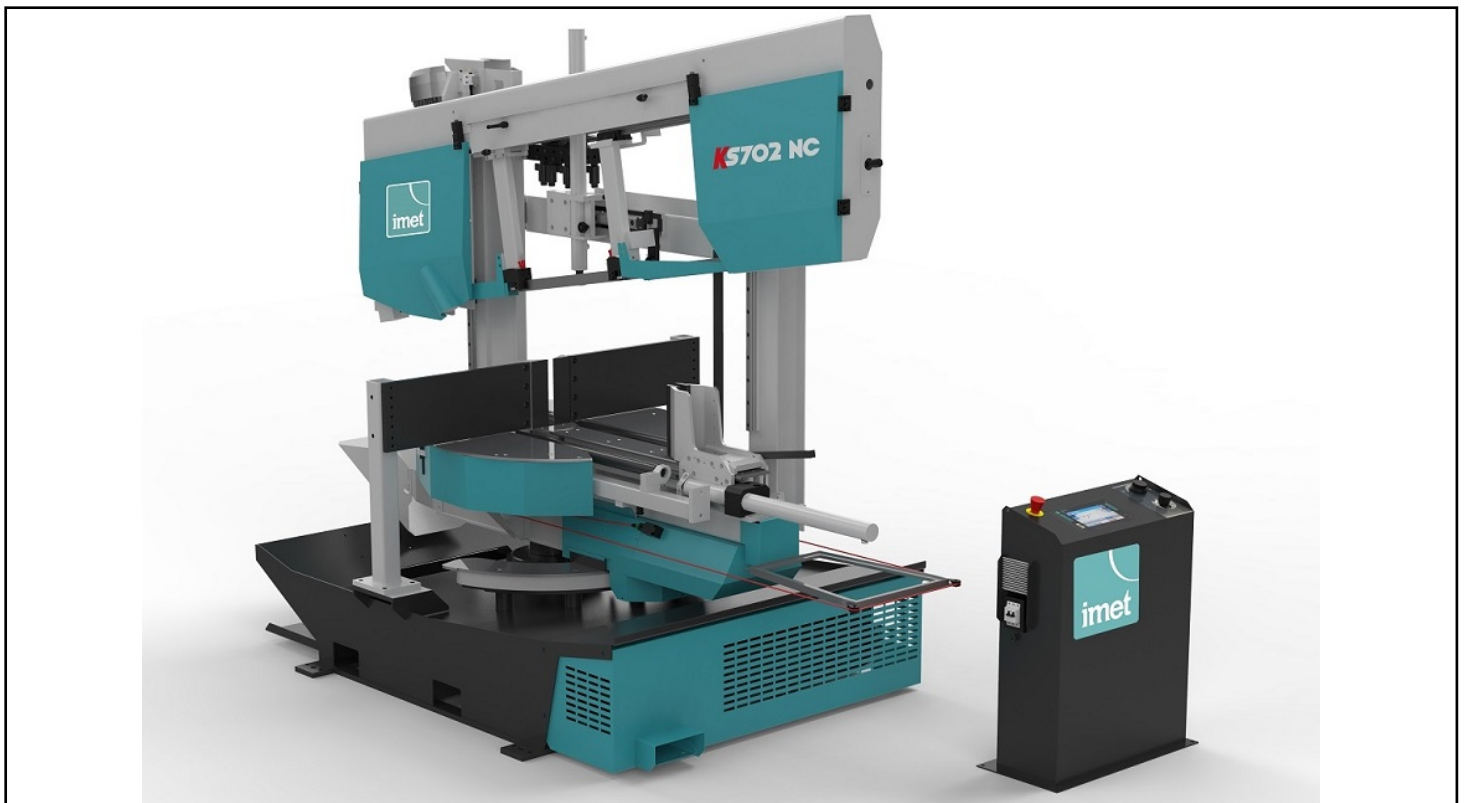
MACHINE MODEL

KS 702 NC

Semiautomatic bandsaw with automatic bow rotation

Short description

KS 702 NC is a semiautomatic double column bandsaw suitable to cut pipes, tubes, bars and solid up to 60° on left and right. The machine has the automatic rotation of the sawfram managed by CNC, making it the ideal working tool for batch production and professional applications.



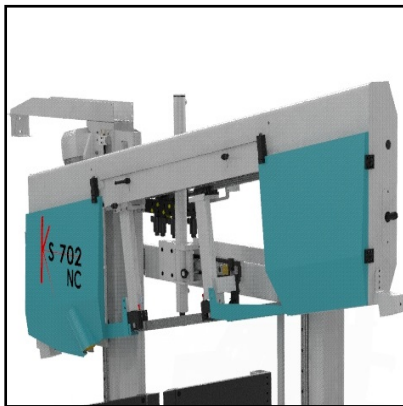
Cutting capacity at 0°	Round: 520mm - Square: 450mm - Rectangular: 680x400mm
Cutting capacity at 45° (left / right)	Round: 470mm - Square: 430mm - Rectangular: 470x400mm
Cutting capacity at 60° left	Round: 280mm - Square: 280mm - Rectangular: 280x380mm
Cutting capacity at 60° right	Round: 310mm - Square: 310mm - Rectangular: 310x380mm
Cutting capacity at 0° solids (C45)	280mm (capacity with blade 41mm: 350mm)
Cutting capacity with bundle device	Max. 650x250mm - Min. 50x50mm
Blade size	5870x34x1.1mm (in option)
Canted blade	10°
Blade power	3KW (in option 4KW motoreducer)
Blade speed	15/100m/min
Hydraulic unit tank capacity	50l
Collant tank capacity	3l
Weight	1950kg
Size	1600x3300x2500mm
Working table height	840mm

Features



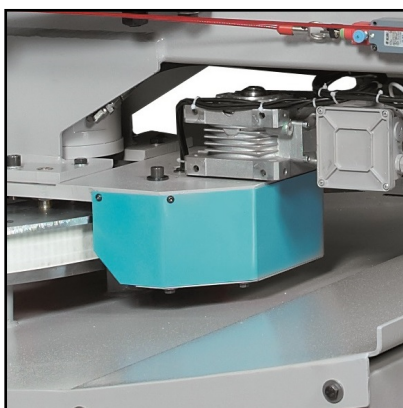
Touch screen display

KS 702 has an easy and intuitive interface dedicate to optimize the user-experience: thanks the CNC system and 10" touch screen display the user can manage all the machine operative function, set up 99 cutting program and multiple cutting length on the same bar, set the number of feeder stroke, the number of pieces and blade speed. It's also possibile to do an autodiagnostic to detect errors.



Rigid sawframe

KS 702 NC has big size, electrowelded bow with rigid structure and big thickness. The massive structure helps reduce any vibration, binding or slowing during the cutting process, saving sawblade life and durability. High cutting performances even on the biggest sections and full materials are provided by the 10° canted blade with 2000kg/cm² blade tension.



Sawframe rotation

The machine has an automatic sawframe rotation system managed by toothed belt and motor reducer. Positioning precision is provided by an hydraulic cylinder to stop the rotation.



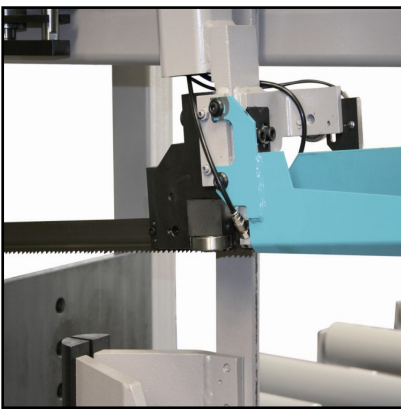
Lowering sawframe speed

KS 702 NC lowering sawframe speed can be set, managed and view thanks to the LCD display on the panel control.



Canted blade

The 10° canted blade provides for an optimal band penetration in the material white cutting and helps reducing vibration, binding and slowdown during the process, increasing the cutting performances, saving the blade life, even when cutting solids material or big section. It's present a switch that keeps an high blade tension to reduce the string while working.



Blade guides

The machine has a mobile blade guide, automatically kept next to cutting point with a gas piston. Minimal Minimal lubrication system is standard on every model to avoid any coolant dispersion, keeping working area perfectly clean so that the machine can always work in the most efficient way.



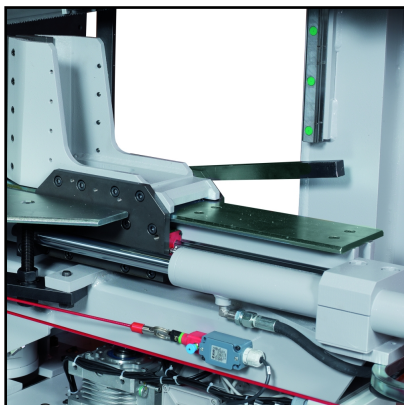
Blade cleaning

All the semiautomatic and automatic IMET bandsaws are equipped with a mechanical cleaning brush with nylon fibers that helps to remove residuals and remainings while cutting.



Washing gun

Premium Line automatic bandsaws and semiautomatic and automatic Maxi Line bandsaws are standardly equipped with a washing gun dedicated to keep clean the working area and remove any residuals and remainings, allowing to keep the highest efficiency of the machine.



User safety

Provided as standard on all the KS NC models, it's present a user safety system through a wire: in the event of an obstacle detection or in case of any problem while working, the system automatically stops the process.



High performance (Optional)

OPTIONAL

Supplied as standard is the 3KW motor reducer with 34mm height blade; it's possibile to switch to a higher per performance blade with 4KW motor reducer, 41mm blade and hydraulic tensioning.



Blade deviation control (Optional)

OPTIONAL

It's availabe the blade deviation control system with automatic stop of the cutting process in case of problem detection.



Laser ray (Optional)

OPTIONAL

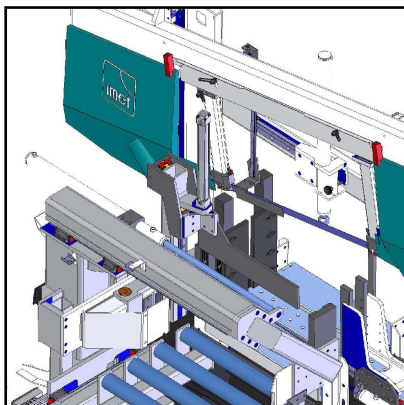
To ease the working process, it's possibile to require di special laser ray that points the cutting line on the material before starting to operate.



sawing technology

IMET SPA
Località tre fontane, 6 - 24034
Cisano Bergamasco (BG) Italy
Tel +39 035 4387911 | Fax +39 035 787066
imet@imetsaws.com
www.imetsaws.com

KS 702 NC



Bundle cutting device (Optional)

OPTIONAL

Hydraulic bundle cutting device. Maximum cutting capacity with bundle is 650x250mm, minimum capacity 50x50mm.



Loading/unloading roller table (Optional)

OPTIONAL

Loading and unloading roller table with free rolls. Single module length 2m.



Motorized roller table (Optional)

OPTIONAL

Motorized roller table preset for motorization with chain transmission and pinions. Element quoted for linear meter.



Motorization system for roller table (Optional)

OPTIONAL

Motorization system for motorized roller table. Recommended every 6m length, max speed 10m/min.



CNC motorized measurement (Optional)

OPTIONAL

CNC motorized measurement length stop with fast approaching and automatic slowdown of the piece. To be ordered together with RTR motorized roller table. - RR6S measurement length 6m -RR9S measurement length 9m -RR12S measurement length 12m



Vertical containment rollers (Optional)

OPTIONAL

Pair of vertical containment roller made in steel. Max 2 pairs every 1.5m