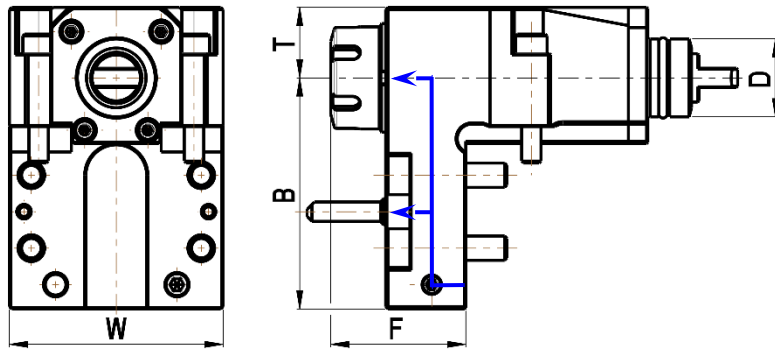
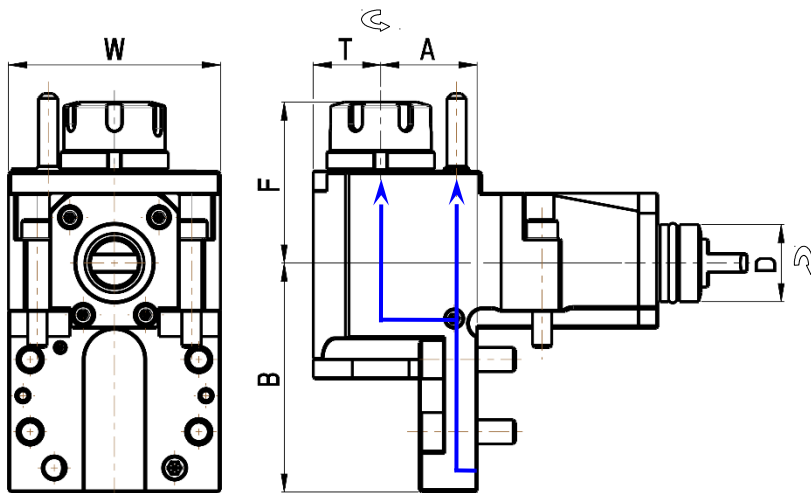


CMZ TB 46 M
 TB 67 M
 TBL 46
 TL 15 M

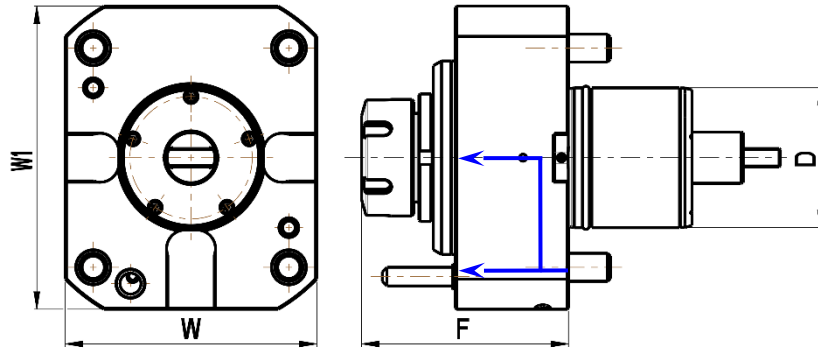


Code	D	Tool grip	Internal Cooling	B	F	T	W
NGT2-32/101-25/1(CMZ)	32	ER25	no	95	56	29	88
NGT2-32/101-25/2(CMZ)	32	ER25	yes	95	56	29	88

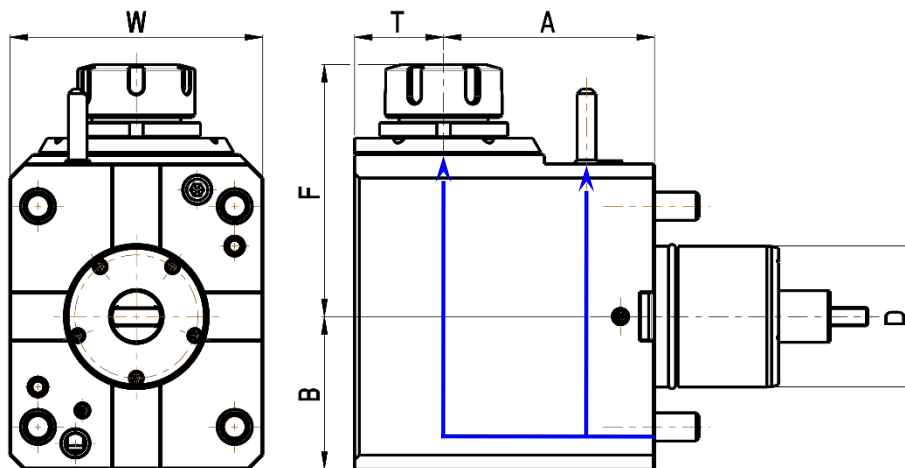


Code	D	Tool grip	Internal Cooling	Direction	A	B	F	T	W
NGT2-32/201-25/1.3-40(CMZ)	32	ER25	no	right/left	40	95	67	28	88
NGT2-32/201-25/2.3-40(CMZ)	32	ER25	yes	right/left	40	95	67	28	88

MORI SEIKI NL 1500/2000/2500/3000
 NLX 1500/2000/2500/3000
 NT 3250/4200/4250/4300/5400
 NZL 2500



Code	D	Tool grip	Internal Cooling	F	W	W1
NGT2-60/101-32/1(MS)	60	ER32	no	89	108	130
NGT2-60/101-32/2(MS)	60	ER32	yes	89	108	130



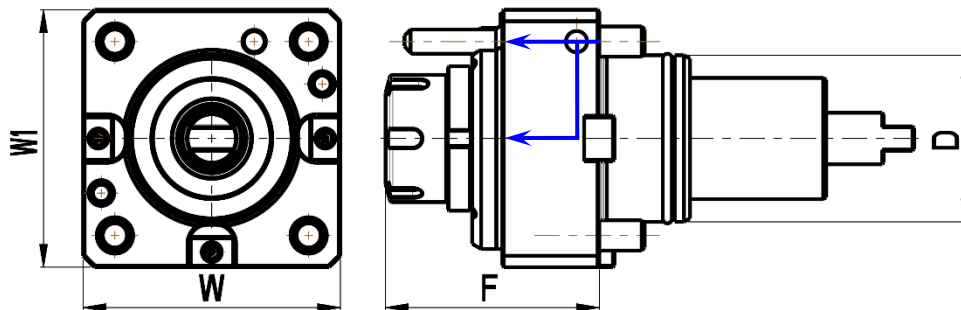
Code	D	Tool grip	Internal Cooling	Direction	A	B	F	T	W
NGT2-60/201-32/1.3-90(MS)	60	ER32	no	right/left	90	65	107	38	108
NGT2-60/201-32/2.3-90(MS)	60	ER32	yes	right/left	90	65	107	38	108


BMT55

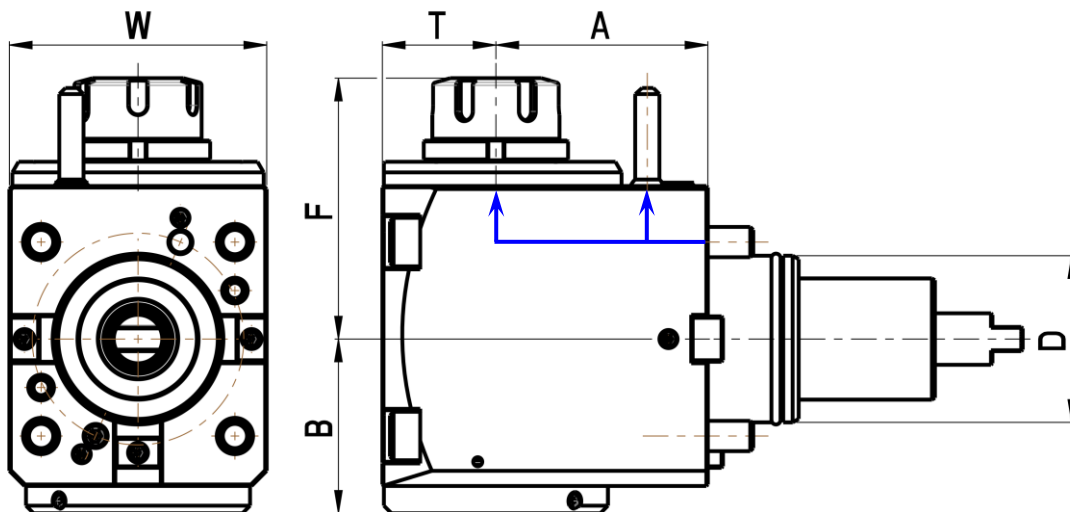
DOOSAN Lynx 300 M
 PUMA 1500/2000/2500 M/S/Y
 PUMA 2100 Y/LY/SY/LSY
 PUMA 2100/2600/3100 M/Y/MS/SY
 PUMA 230/240/280 M/LM/S
 PUMA GT 2100 M
 PUMA H 250 T M
 PUMA MX 2100 ST/LST
 PUMA TL 2000/2500 M/LM


Hwacheon Cutex 160

Victor Vturn A16/A20 YSCM



Code  Click below to see more	D	Tool grip	Internal Cooling	F	W	W1
NGT2-55/101-25/1(DO)	55	ER25	no	71	85	85
NGT2-55/101-25/2(DO)	55	ER25	yes	71	85	85



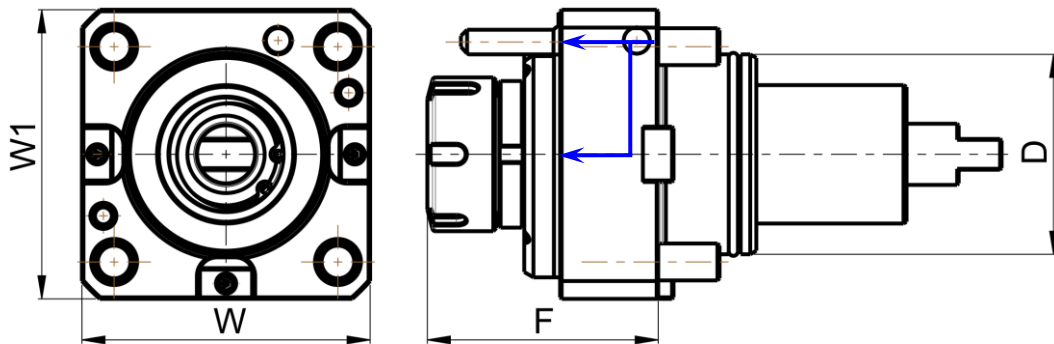
Code  Click below to see more	D	Tool grip	Internal Cooling	Direction	A	B	F	T	W
NGT2-55/201-25/1.3-70(DO)	55	ER25	no	right/left	70	57,5	86	37,5	85
NGT2-55/201-25/2.3-70(DO)	55	ER25	yes	right/left	70	57,5	86	37,5	85

BMT65
DOOSAN

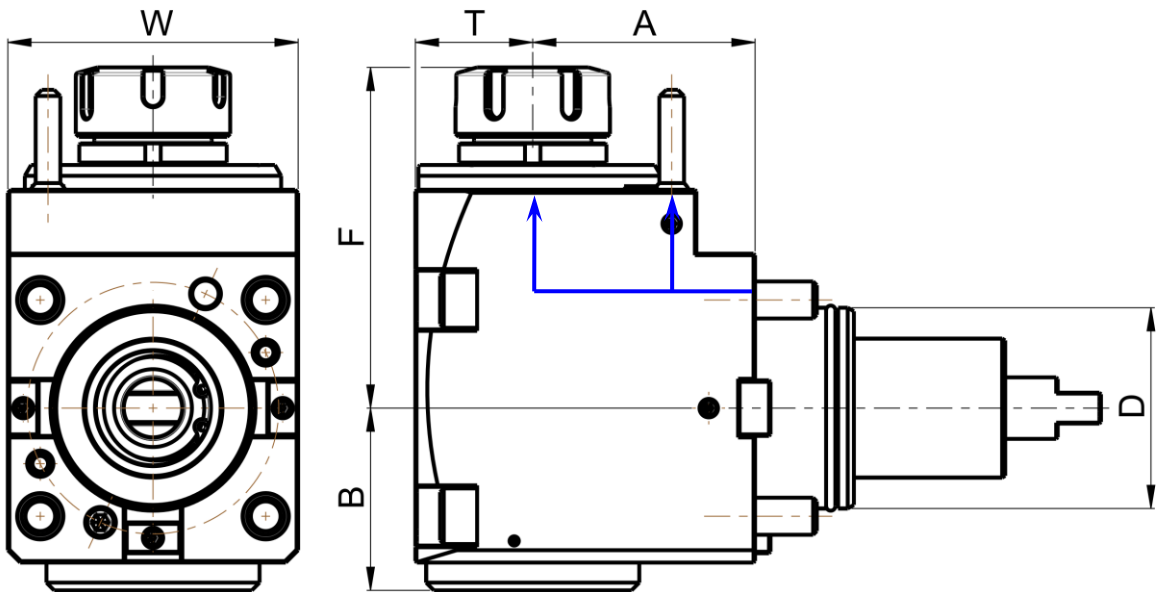
PUMA 2100/2600 M/LM/MS/LMS
PUMA 2100/2600 Y/LY/SY/LSY
PUMA 3100 M/LM/LY/XLM/XLY/ULM/ULY
PUMA MX 2000/2500
PUMA MX 2600 T/ST
PUMA TT 2500 MS/SY
PUMA VTT/TL 2000/2500 M/S/Y

Hyundai WIA
Victor

SKT 200/250 TTSY
Vturn A26/A20 YSCM



Code	D	Tool grip	Internal Cooling	F	W	W1
NGT2-65/101-32/1(DO)	65	ER32	no	75	94	94
NGT2-65/101-32/2(DO)	65	ER32	yes	75	94	94

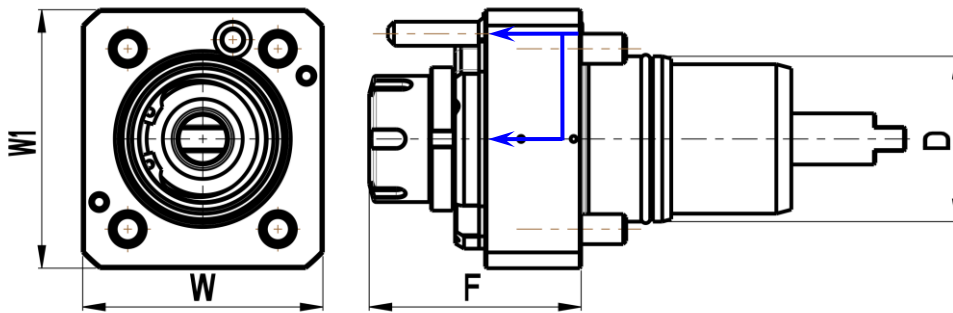


Code	D	Tool grip	Internal Cooling	Direction	A	B	F	T	W
NGT2-65/201-32/1.3-72(DO)	65	ER32	no	right/left	72	59	110	38	94
NGT2-65/201-32/2.3-72(DO)	65	ER32	yes	right/left	72	59	110	38	94

BMT55

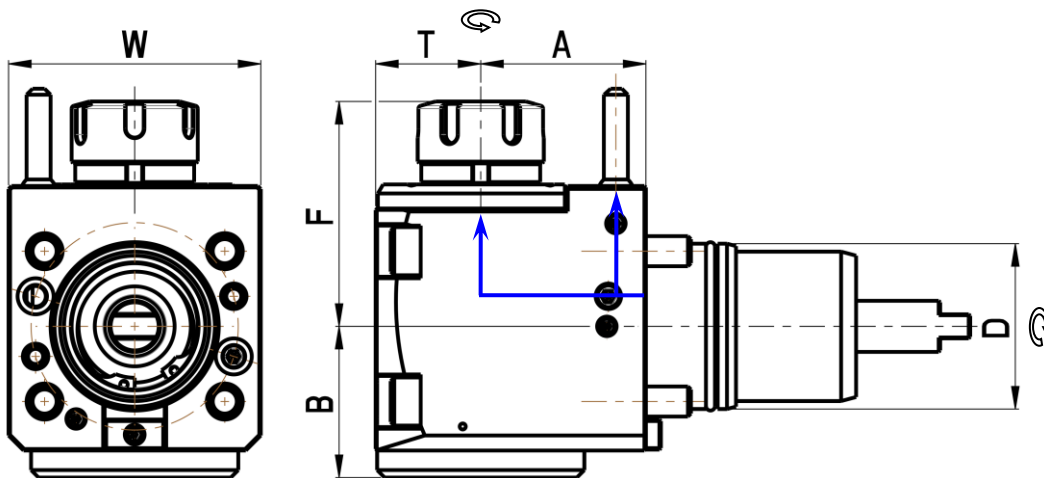
- Nakamura-Tome AS-200
NTM 3
NTY 3-250
SC-150 M
SC-200 MY
SC-250 M
Super NTJ
TMC-20 II M/ML
TW-10
TW-20
WT-20 II M/MY
WT-150
WT-250
WTS-150
WTW-150
WY-250
TX 52/66

CMZ



Code
Click below to see more

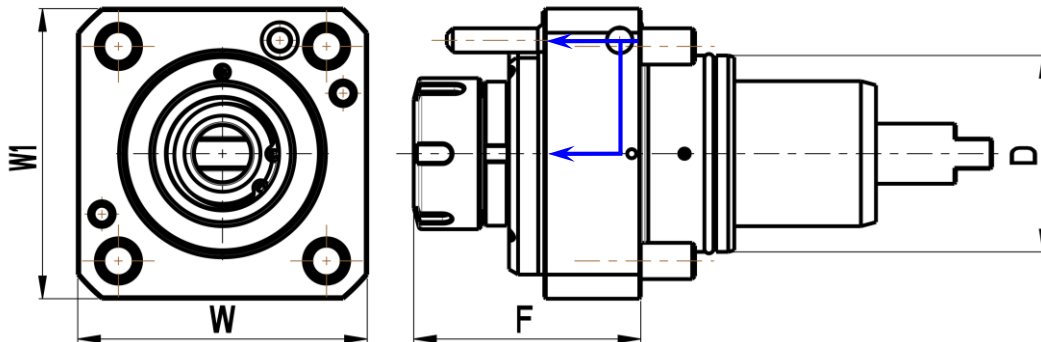
Code	D	Tool grip	Internal Cooling	F	W	W1
NGT2-55/101-25/1(NT)	55	ER25	no	71	80	86
NGT2-55/101-25/2(NT)	55	ER25	yes	71	80	86




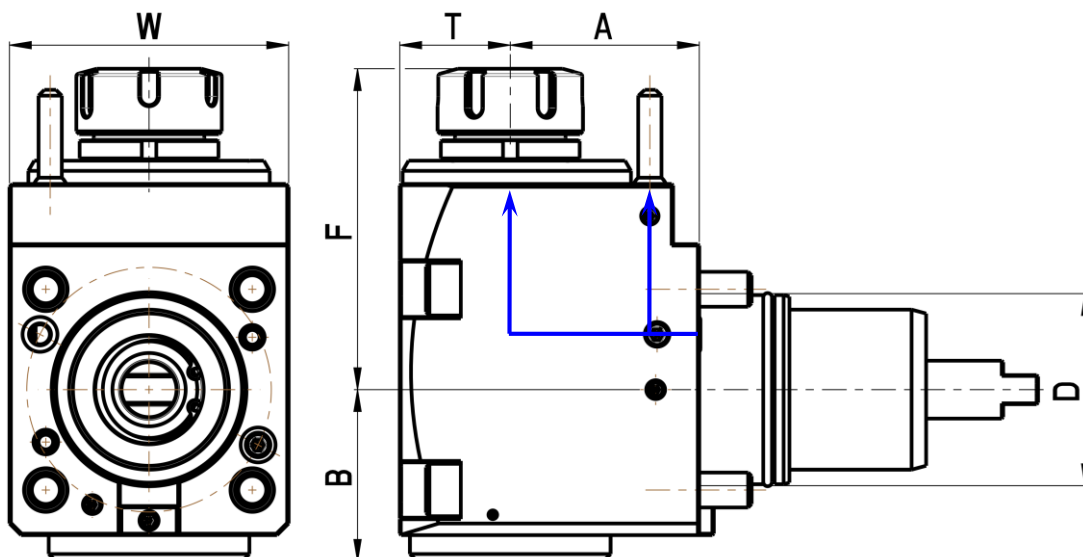
Code
Click below to see more


Code	D	Tool grip	Internal Cooling	Direction	A	B	F	T	W
NGT2-55/201-25/1.3-55(NT)	55	ER25	no	right/left	55	50,3	74,8	35	84
NGT2-55/201-25/2.3-55(NT)	55	ER25	yes	right/left	55	50,3	74,8	35	84

NAKAMURA-TOME BMT65 WT300
 SC300
 TW20
 TMC-200M, TMC-300M
 SUPER NTX
 TW20M, MY, MM, MMY, MMY (12 stations)
 TW30M, MY, MM, MMY, MMY (16 stations)

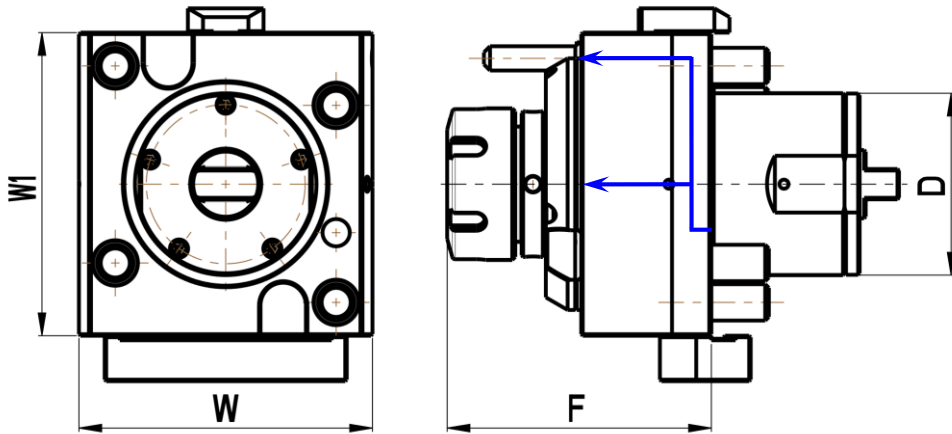



Code  <small>Click below to see more</small>	D	Tool grip	Internal Cooling	F	W	W1
NGT2-65/101-32/1(NT)	65	ER32	no	75	96	96
NGT2-65/101-32/2(NT)	65	ER32	yes	75	96	96



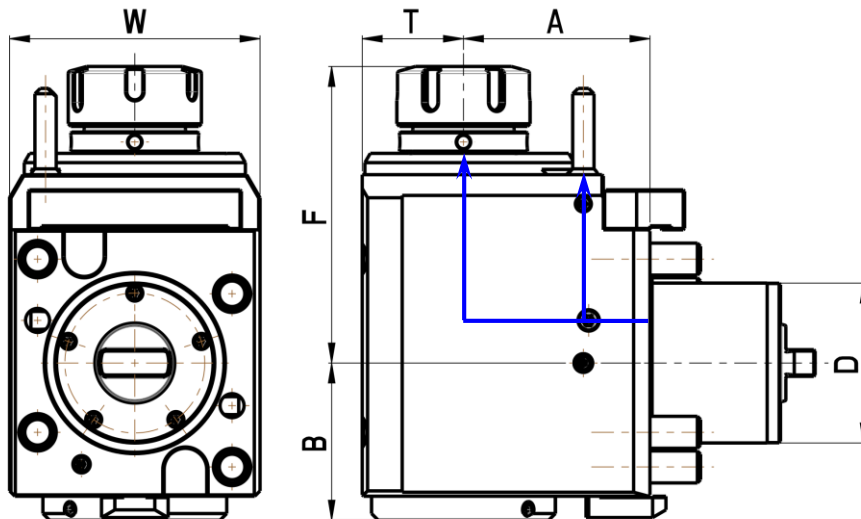
Code  <small>Click below to see more</small>	D	Tool grip	Internal Cooling	Direction	A	B	F	T	W
NGT2-65/201-32/1.3-65(NT)	65	ER32	no	right/left	65	59	110	38	96
NGT2-65/201-32/2.3-65(NT)	65	ER32	yes	right/left	65	59	110	38	96


OKUMA LB2000/2500/3000 EX M



Code 
Click below to see more

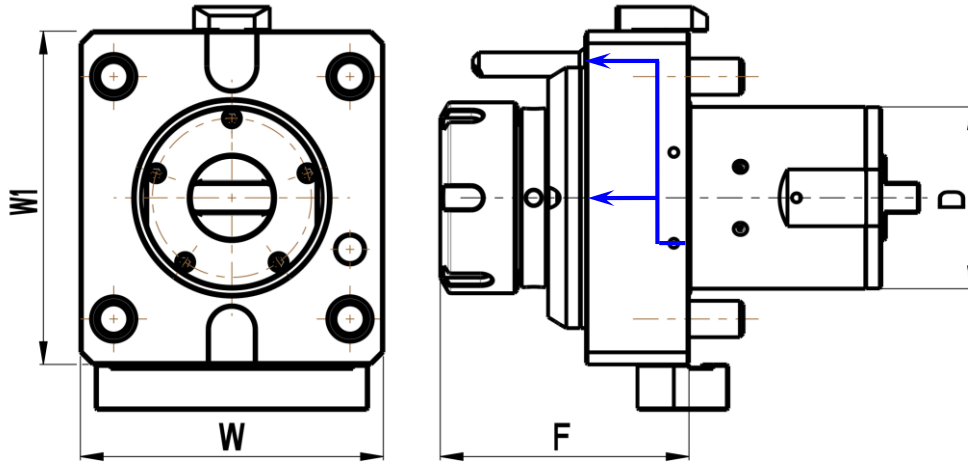
Code	D	Tool grip	Internal Cooling	F	W	W1
NGT2-60/101-32/1(JA)	60	ER32	no	87	97	100
NGT2-60/101-32/2(JA)	60	ER32	yes	87	97	100




Code 
Click below to see more

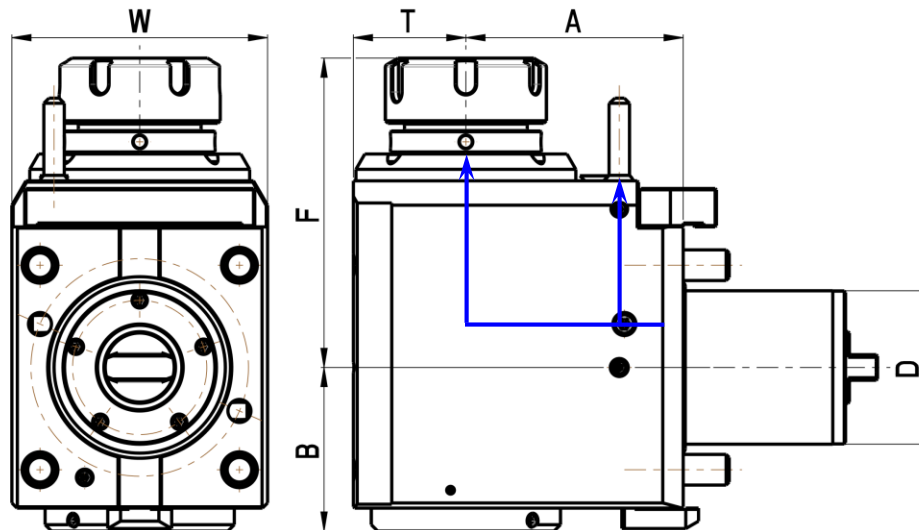
Code	D	Tool grip	Internal Cooling	Direction	A	B	F	T	W
NGT2-60/201-32/1.3-70(JA)	60	ER32	no	right/left	70	59	111	38	94
NGT2-60/201-32/2.3-70(JA)	60	ER32	yes	right/left	70	59	111	38	94


OKUMA LB4000 EX M



Code 
Click below to see more

	D	Tool grip	Internal Cooling	F	W	W1
NGT2-60/101-40/1(JB)	60	ER40	no	82	100	110
NGT2-60/101-40/2(JB)	60	ER40	yes	82	100	110



Code 
Click below to see more

	D	Tool grip	Internal Cooling	Direction	A	B	F	T	W
NGT2-60/201-40/1.3-85(JB)	60	ER40	no	right/left	85	64	121	44	100
NGT2-60/201-40/2.3-85(JB)	60	ER40	yes	right/left	85	64	121	44	100